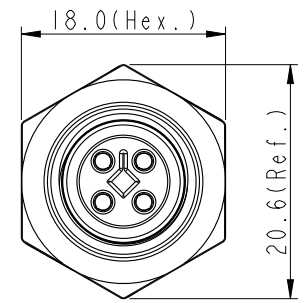
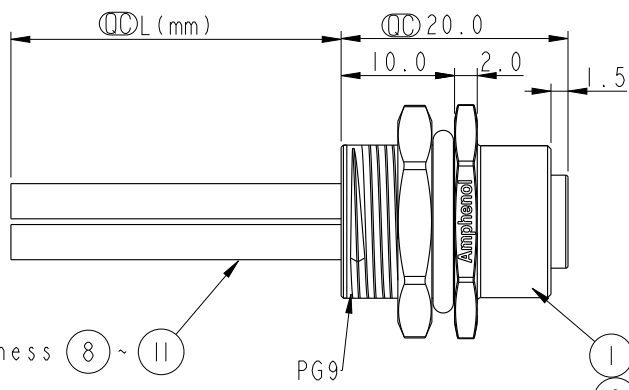
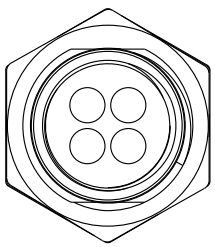


THIS DOCUMENT IS SUBJECT TO CHANGE WITHOUT NOTICE. IT IS CONFIDENTIAL AND A PROPERTY OF Amphenol LTW. DISCLOSURE TO THIRD PARTY HAS TO BE AUTHORIZED BY Amphenol LTW.

REV.	ECN NO.	DATE	SIGN	DESCRIPTION
A	Initial Release	2015/03/04	Cary	Change Rev. 01 to Rev.A

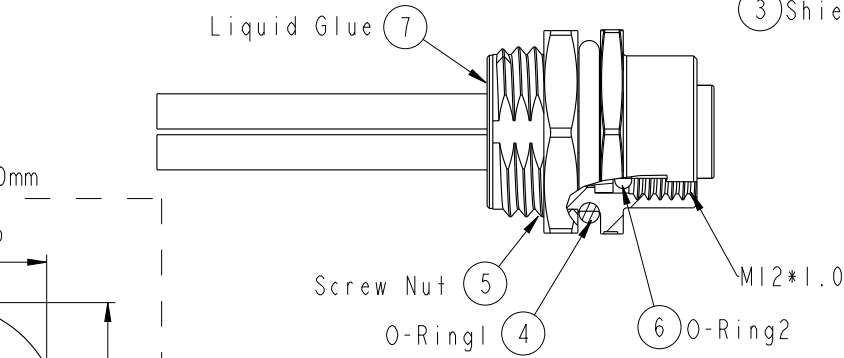
**ALTW**  
CONFIDENTIAL  
2015-03-04  
R&D DEPT.

**ALTW**  
DCC. DEPT.  
CONFIDENTIAL  
2015.04.27  
ISSUED

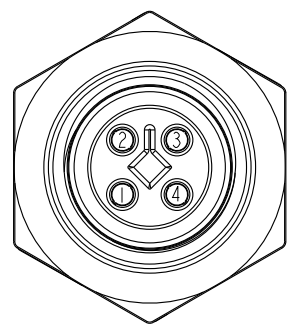


M12T-04PFFS-SH8BXX

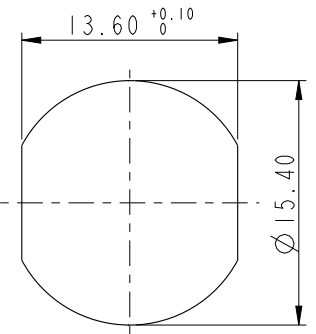
XX: 150~1500mm  
15: 150mm  
30: 300mm  
50: 500mm  
A0: 1000mm  
A5: 1500mm  
Wire Length(L): 150~1500mm



Note:  
 \*  $\varnothing$  Important Dimension.  
 \* Waterproof Rate: IP68.  
 IP68: 1M Depth Of Water In 24hours.  
 \* Housing: PA66, UL94V-0, Black.  
 \* Female Pin: Copper Alloy, Gold Plated.  
 \* Shield: Zinc Alloy, Nickel Plated.  
 \* Panel Nut: Zinc Alloy, Nickel Plated.  
 \* O-Ring1: Viton, Black.  
 \* O-Ring2: Viton, Green.  
 \* Wire Harness: UL1015 16AWG(1.5mm<sup>2</sup>).  
 \* Rated Voltage: 60V DC.  
 \* Rated Current at 40°C: 12A  
 \* Operation Temperature: -40~85°C.  
 \* For Panel Thickness Max 4.5mm.  
 \* Nut Torque: 4-6 Kgf.cm(0.4~0.6N.m).  
 \* Wire harness Tolerance: 150~300 ±15mm  
 301~1000 ±20mm  
 Over1000 ±40mm



Pin Assignment  
Front View



Recommended  
Panel Cut-Out

4	Black	黑
3	Blue	藍
2	White	白
1	Brown	棕
Conn.	Wire Color	Pin Out

UNIT: mm		TITLE		ITEM NO	DRAWN BY	DATE
		M12 T-Code 4Pin Female Type				
TOLERANCE		SCALE	SIZE	DWG NO	CHECKED BY	DATE
.X ±0.25 .XX ±0.1 .XXX ±0.05 ANGLES ±1°		2:1	A4	M12T-04PFFS-SH8BXX	Yu Long	2015-03-04
REV.	WC-REV.	: Inspection item		CUSTOMER	APPROVED BY	DATE
A	A.3	<b>Amphenol LTW</b> 安費諾亮泰企業股份有限公司		ALTW	Jerry	2015-03-04