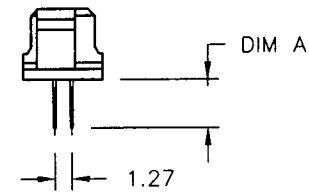
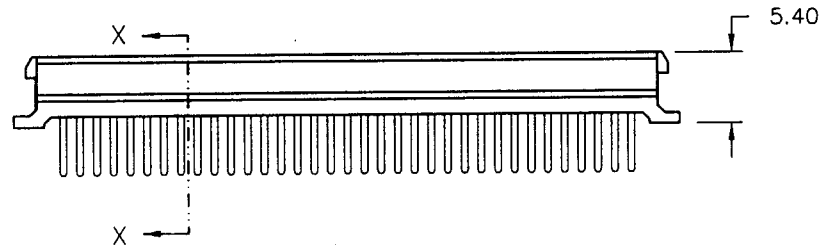
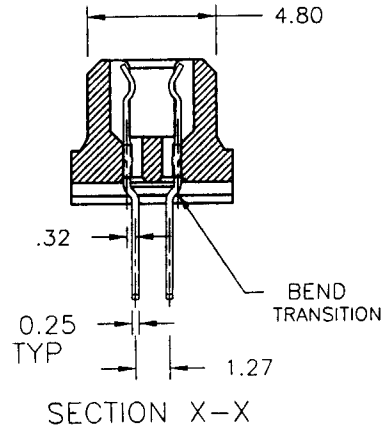
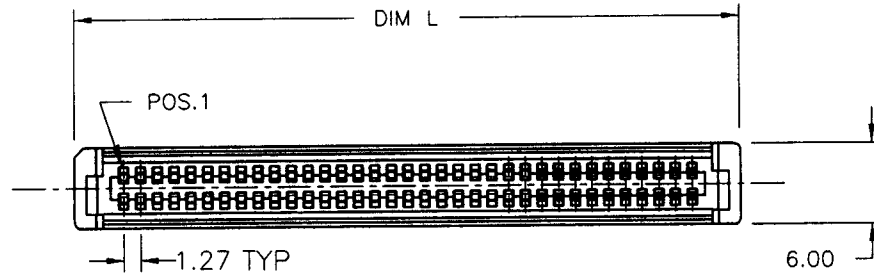
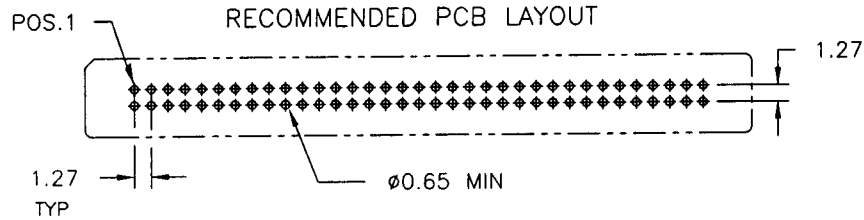


Tous droits strictement réservés. Reproduction ou communication à des tiers interdite sous quelque forme que ce soit sans autorisation écrite du propriétaire. Propriété de © BERG ELECTRONICS. Droits de reproduction BERG ELECTRONICS INC.

All rights strictly reserved. Reproduction or issue to third parties in any form whatever is not permitted without written authority from the proprietor. Property of © BERG ELECTRONICS Copyright BERG ELECTRONICS INC.

PRODUCT NUMBER	POS.	DIM L	DIM A
74193-070	70	50.58	2.62 MIN 3.65 MAX
74193-170	70	50.58	1.95 MIN 2.55 MAX
74193-090	90	63.28	2.62 MIN 3.65 MAX
74193-190	90	63.28	1.95 MIN 2.55 MAX



mat'l. code				tolerances unless otherwise specified		CUSTOMER COPY		BERG ELECTRONICS			
ltr	ecn no	dr	date	linear	.X ±.3	projection	title	product family	modulemate	code	
A	T70447	P P	10/20/97		.XX ±.13						
B	T80025	H C	01/17/98		.XXX ±.051	mm	size	dwg no	sheet	1 of 1	
C	T90074	C H	02/25/99	angles	0° ±2'						
				dr	PETER PAM	10/20/97	scale	1.5/1	A4	74193	
				enr	H C LIU	10/20/97					
				chr	H C LIU	10/20/97					
				appd	JENN TSAO	10/20/97					
sheet index	revision sheet	C	1								