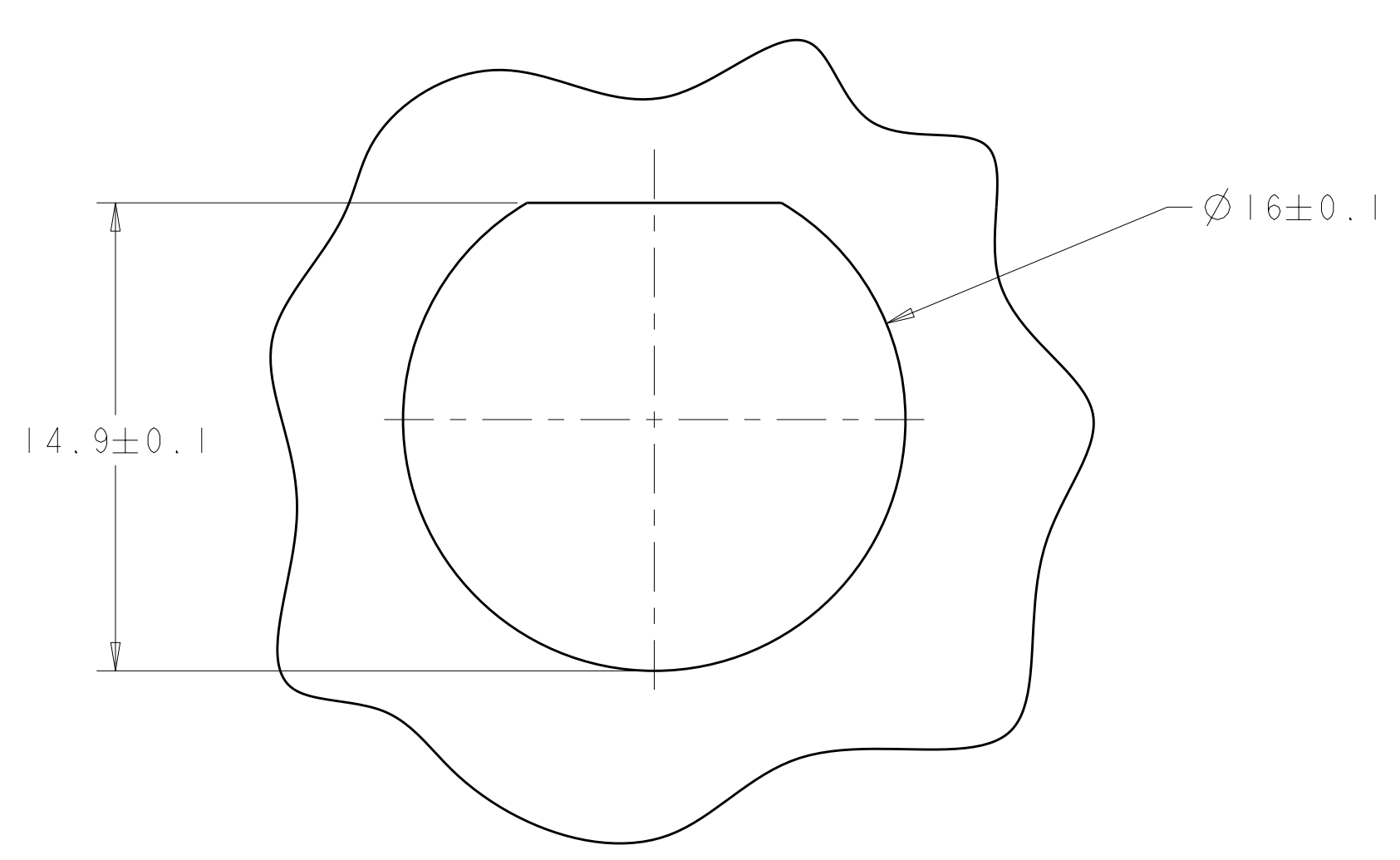
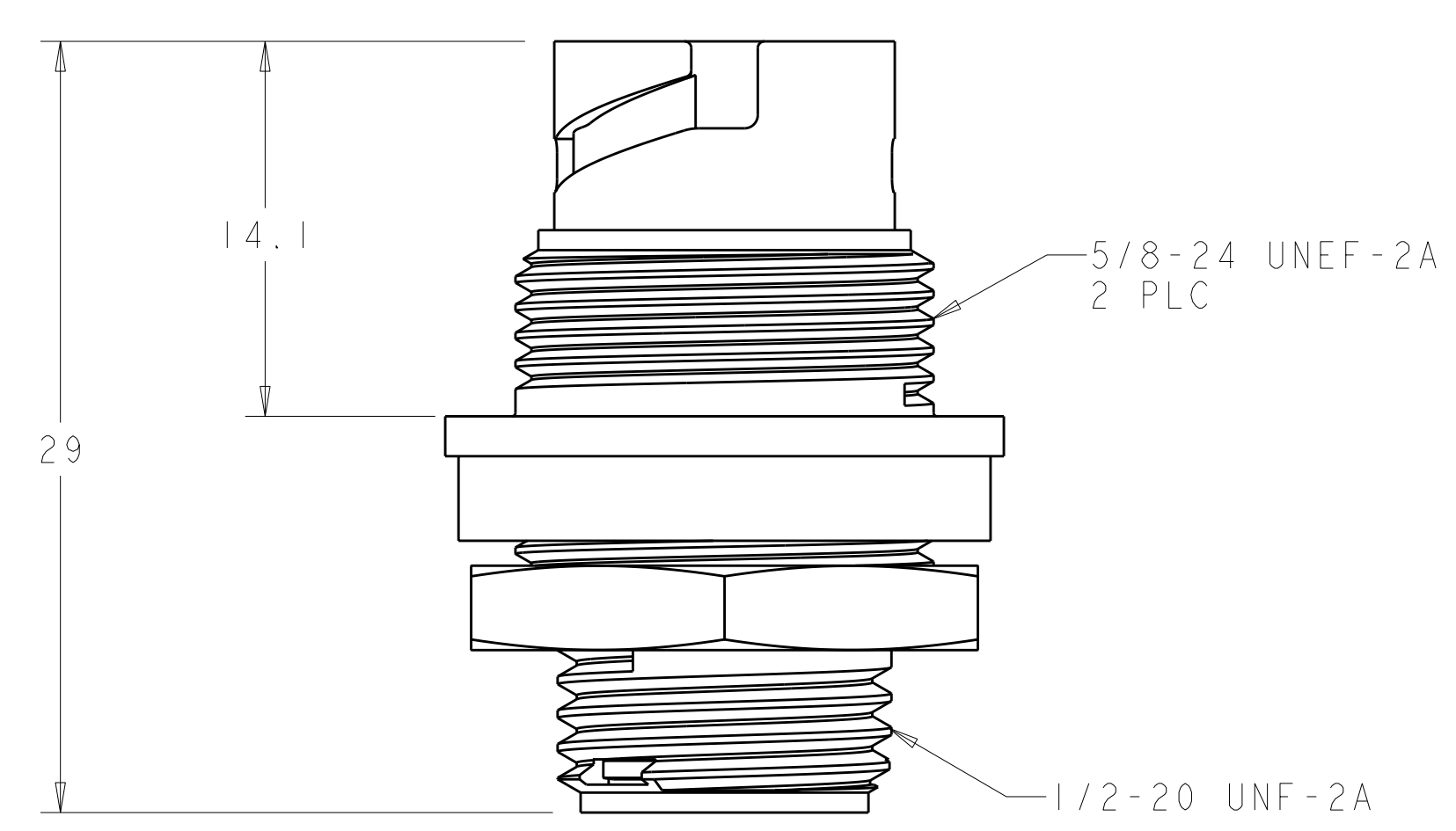
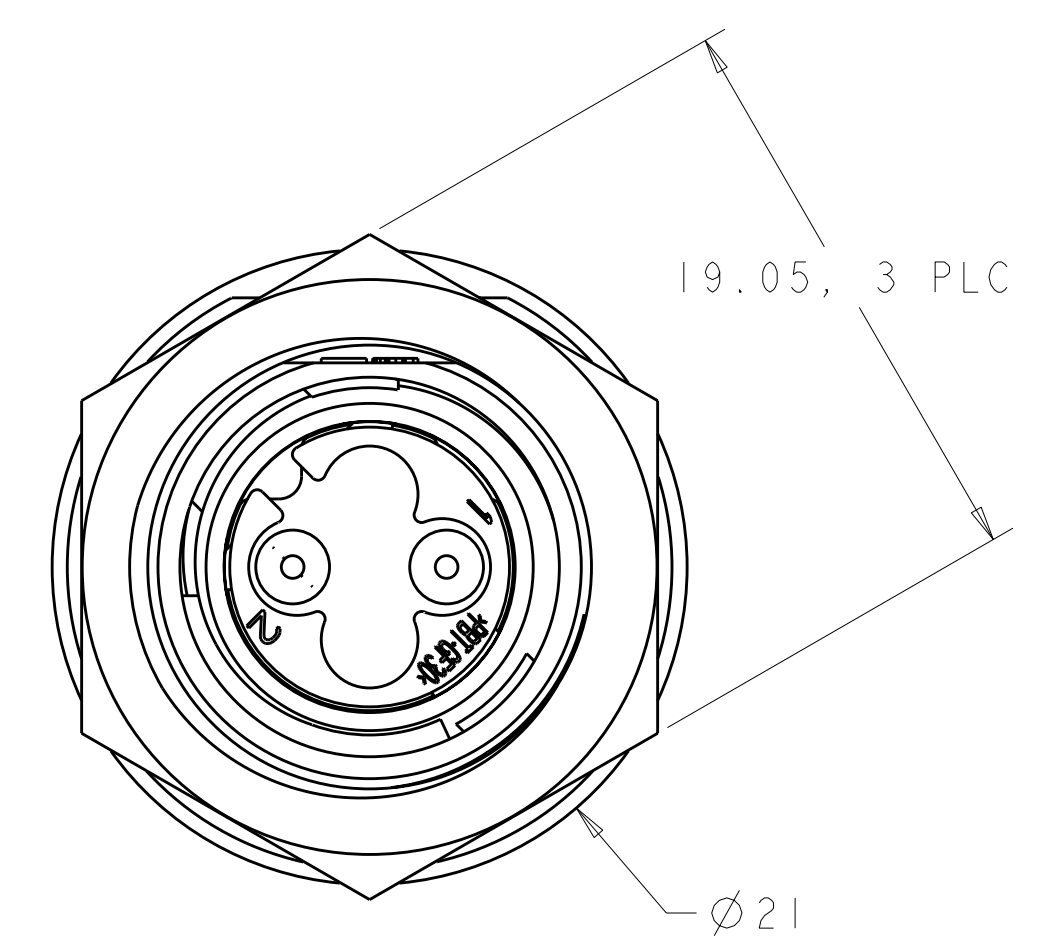
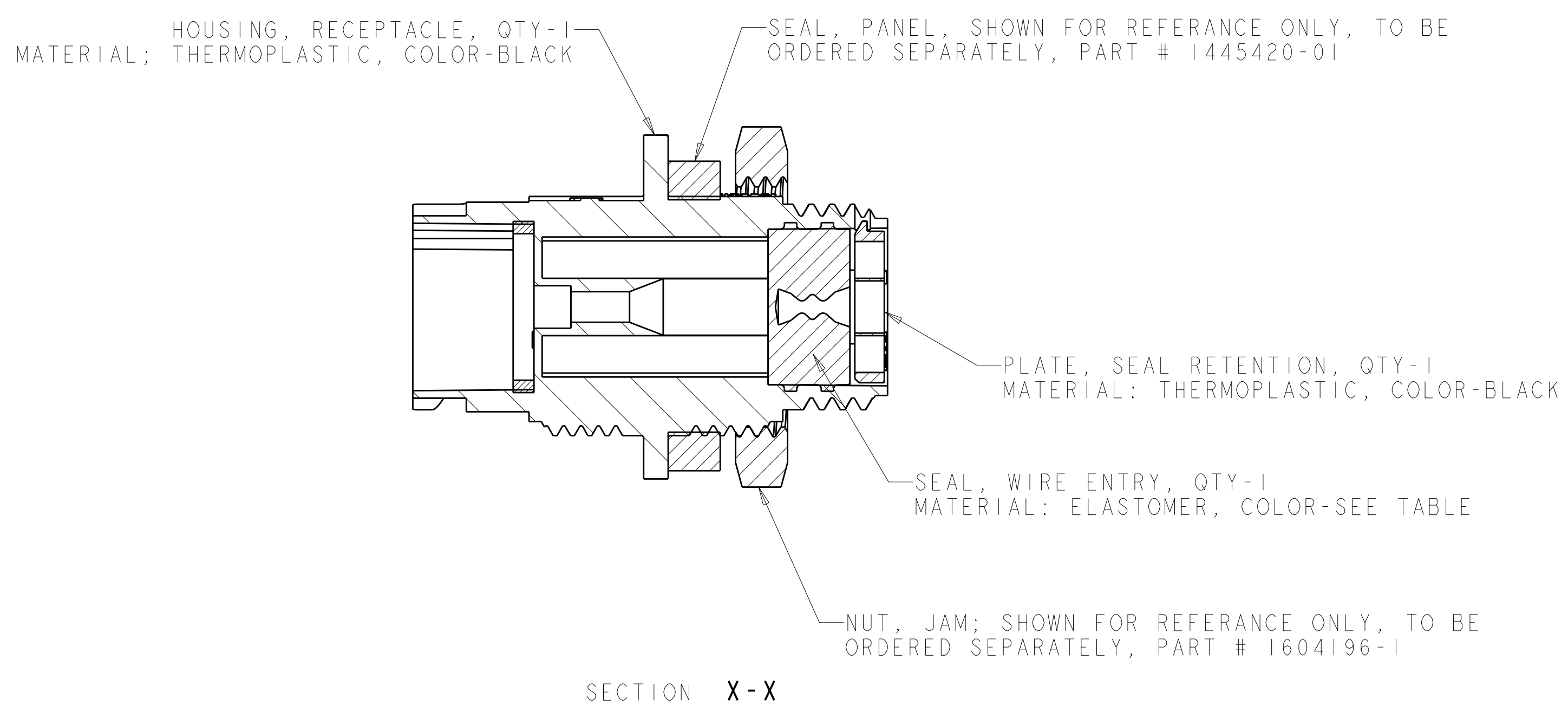
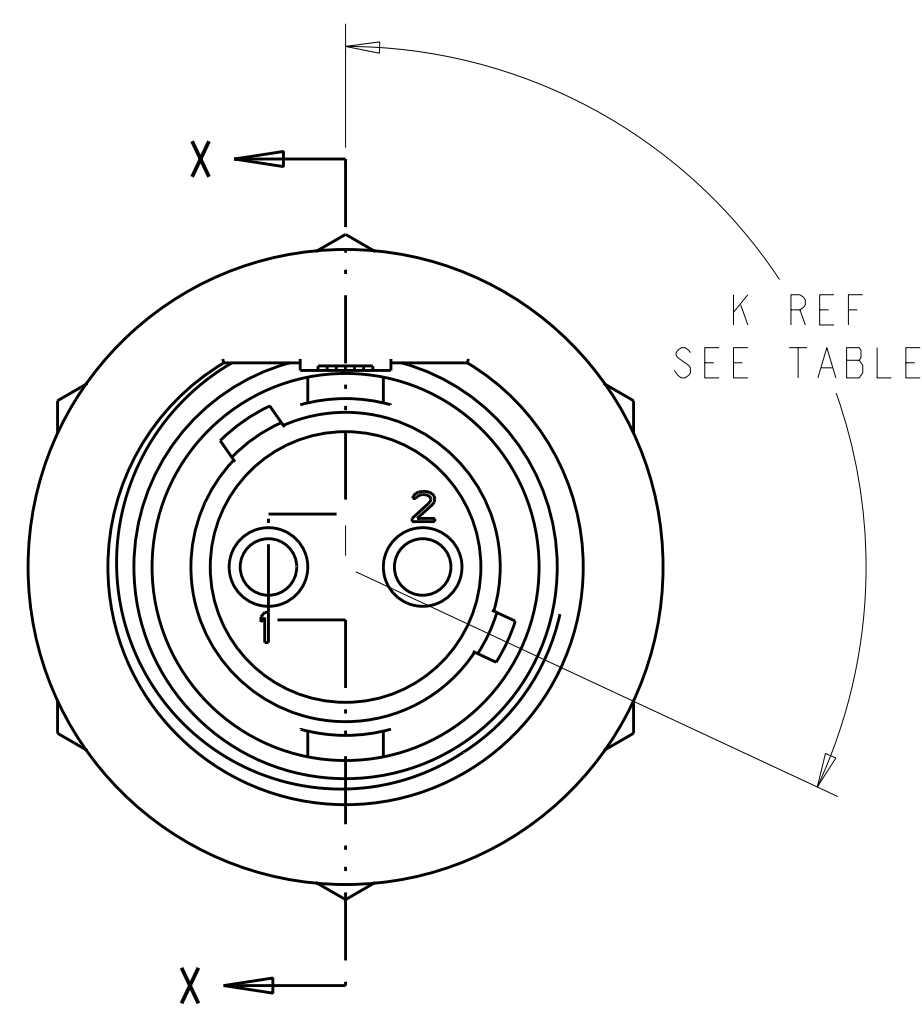
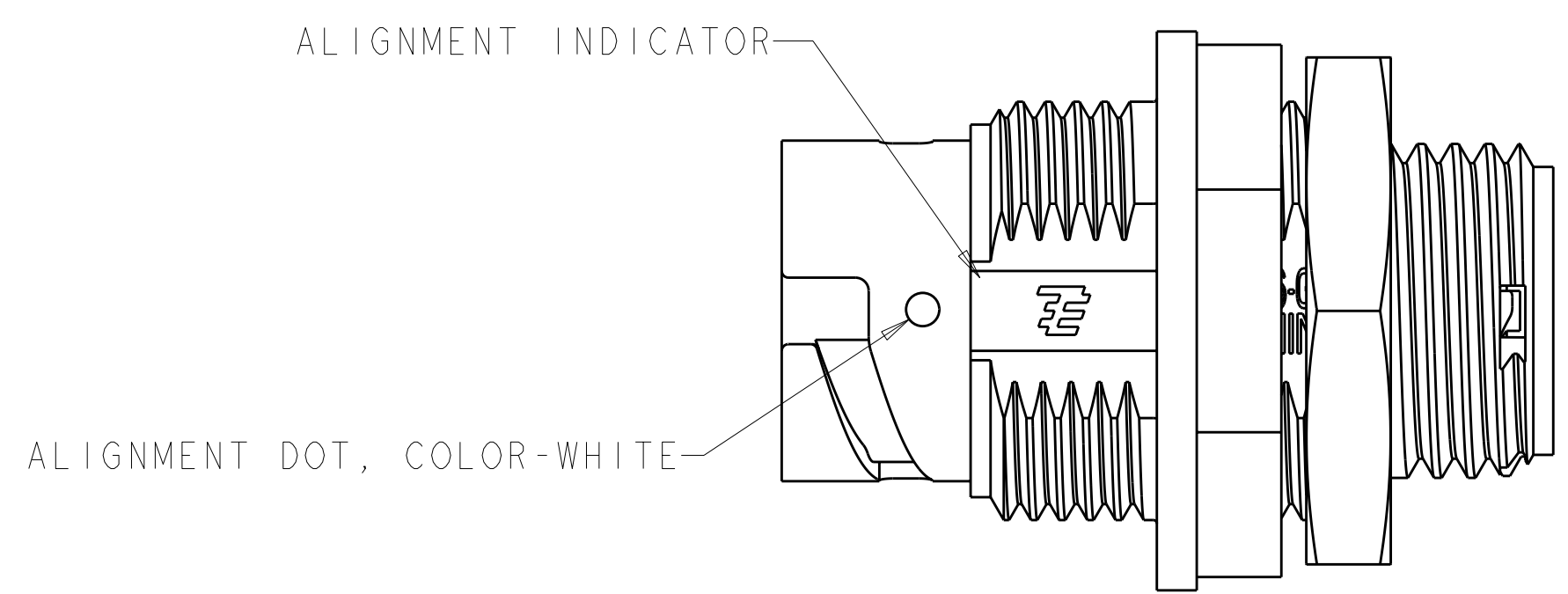


LOC	DIST	REVISIONS			
REV	DATE	DESCRIPTION	DATE	DWN	APVD
FT	0				
B2		REVISED PER ECO-11-004917	12MAR2011	RK	HMR



1. CONNECTOR CAN BE FRONT OR REAR PANEL MOUNTED.  
 △ MAX PANEL THICKNESS-3.18

## QUALIFICATION TEST PENDING

YELLOW	Ø0.75	130°	1445538-04
NATURAL	Ø1.5	115°	1445538-03
NATURAL	Ø1.5	130°	1445538-02
YELLOW	Ø0.75	115°	1445538-01
SEAL, WIRE ENTRY COLOR	ØX REF	K REF	PART NUMBER

THIS DRAWING IS A CONTROLLED DOCUMENT.		DWN: S. WIEST 08MAY2001	TE Connectivity
DIMENSIONS: mm		CHK: G. DOUITY 08MAY2001	
TOLERANCES UNLESS OTHERWISE SPECIFIED:		APVD: H. WAKEEM 13JUN2003	NAME: ASSEMBLY, RECEPTACLE, SIZE 8, 2 POSITION, PANEL MOUNT MINI CPC
0 PLC ±.5 1 PLC ±0.13 2 PLC ±0.13 3 PLC ±0.013 4 PLC ±0.001 ANGLES ±.1		PRODUCT SPEC: -	SIZE: A100779
MATERIAL: SEE CALLOUT		APPLICATION SPEC: -	DRAWING NO: C=1445538
		WEIGHT: -	RESTRICTED TO: -
		CUSTOMER DRAWING	SCALE: 4:1 SHEET 1 OF 1 REV: B2

SUGGESTED PANEL CUTOUT △