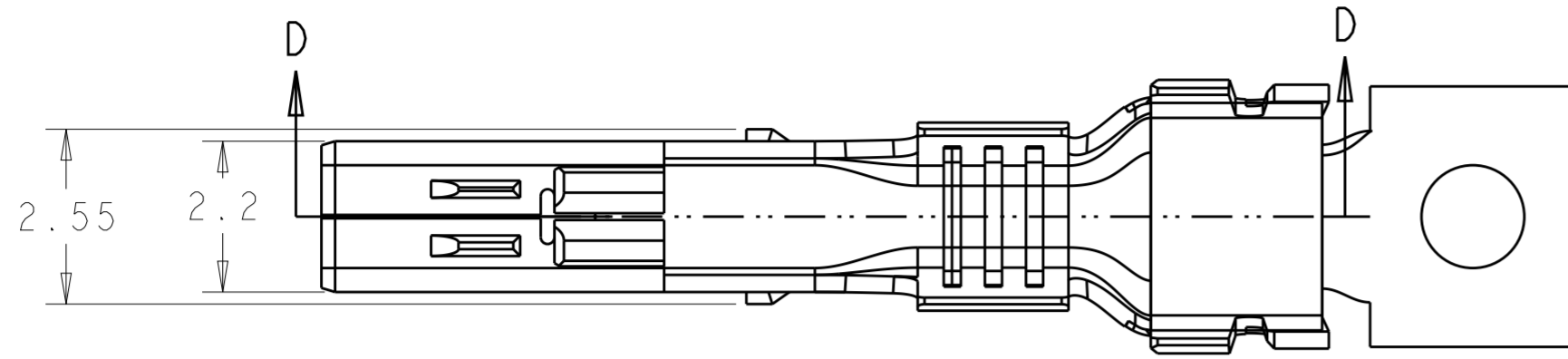
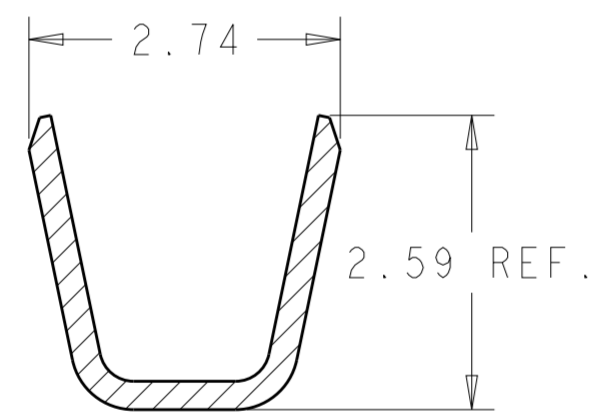
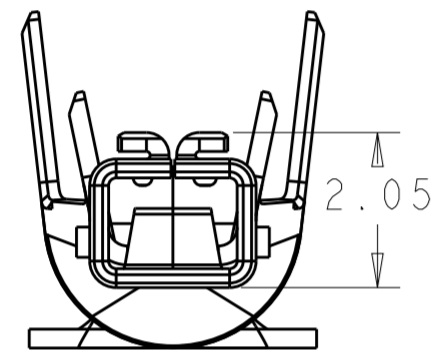
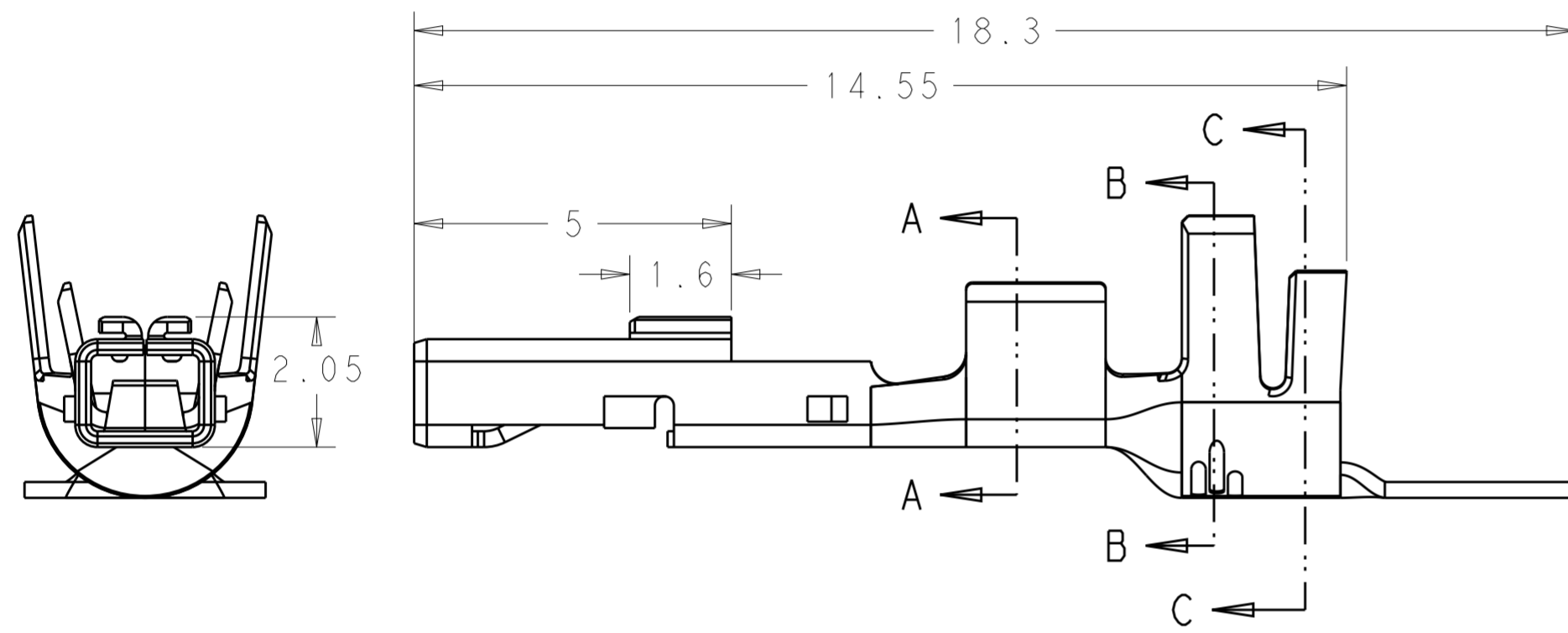


THIS DRAWING IS UNPUBLISHED. RELEASED FOR PUBLICATION
 © COPYRIGHT copyright.d8te- ALL RIGHTS RESERVED.

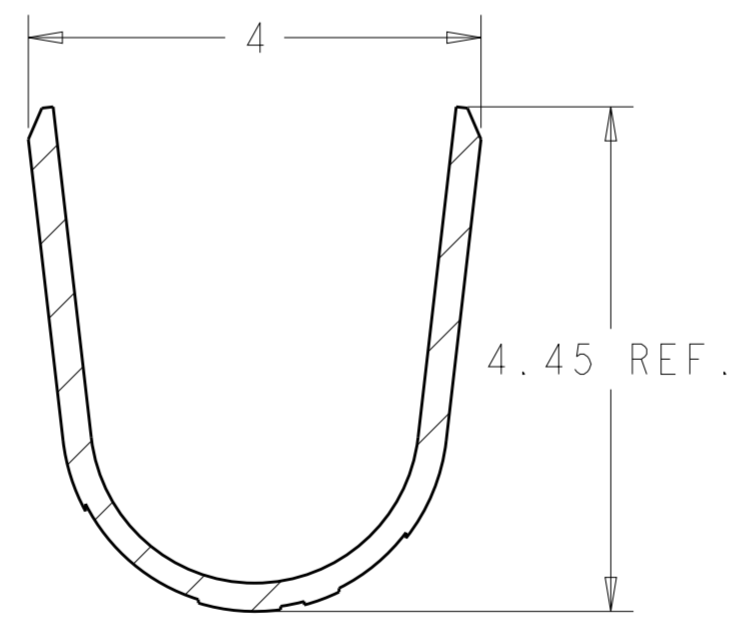
REVISIONS				
P	LTR	DESCRIPTION	DATE	APVD
B		REVISED PER ECR-17-006906	09OCT17	N.L D.Z



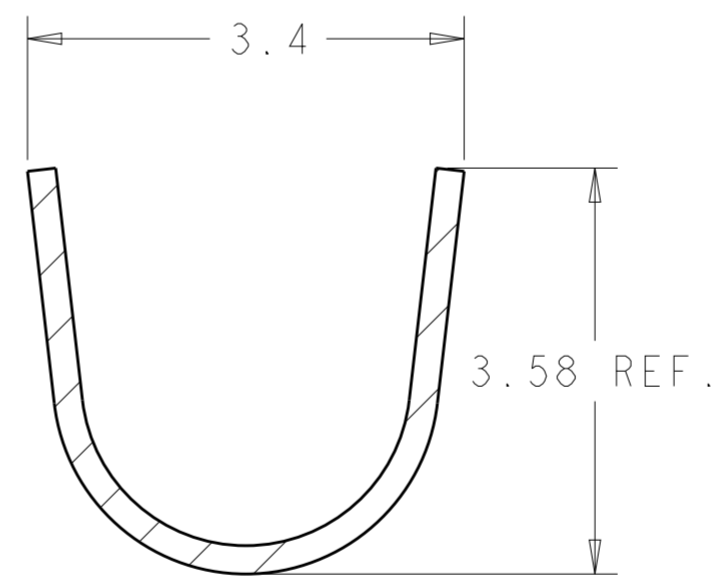
1. MATERIAL: COPPER ALLOY, PRE-TIN.
2. WIRE RANGE: 0.51-1.27mm² [20-16 AWG] STRANDED.
3. INSULATION RANGE: 1.8~3.1.



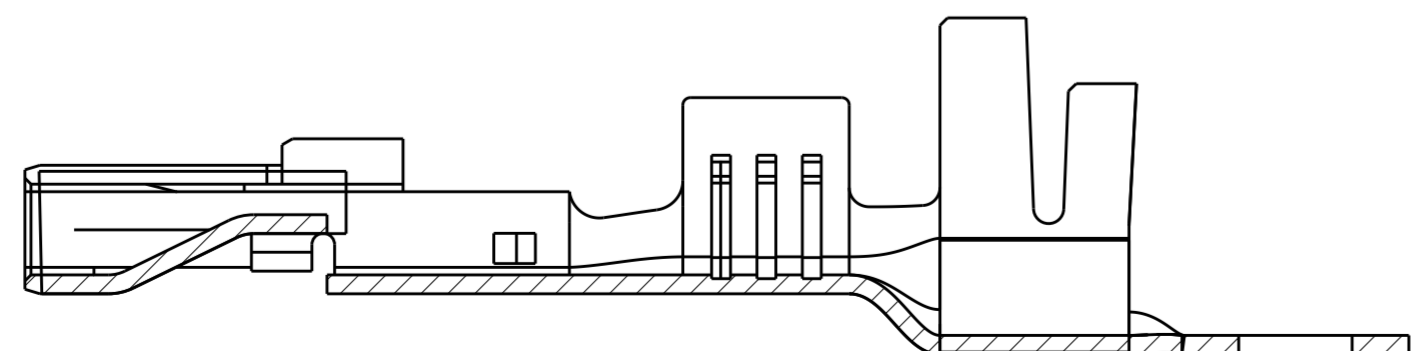
SECTION A-A
SCALE 15:1



SECTION B-B
SCALE 15:1



SECTION C-C
SCALE 15:1



SECTION D-D
SCALE 10:1

2232901-1
PART NUMBER

THIS DRAWING IS A CONTROLLED DOCUMENT.		DWN QITO CHEN 25FEB2016	TE Connectivity	
		CHK DANIEL 28FEB2016		
		APVD DANIEL 28FEB2016	NAME PDL REC TERMINAL	
DIMENSIONS: mm		PRODUCT SPEC 108-5410	SIZE A2	CAGE CODE -
TOLERANCES UNLESS OTHERWISE SPECIFIED: 0 PLC ±0.50 1 PLC ±0.40 2 PLC ±0.30 3 PLC ± 4 PLC ± ANGLES ± FINISH -		APPLICATION SPEC 114-5175	DRAWING NO C-2232901	RESTRICTED TO -
MATERIAL -		WEIGHT -	SCALE N/A	SHEET 1 OF 1
		CUSTOMER DRAWING		REV B