

Component name	Base material	Finish
Case	LCP, black, UL94 V-0	
Terminal, wire lug (gold)	Brass	Gold over nickel
Terminal, PC, RA & VRA (gold)	Brass	Gold over nickel in contact area, Tin over nickel in solder area
Terminal, PC & wire lug (silver)	Silver clad copper	Silver over nickel
Contact (gold)	Copper alloy or brass	Gold over nickel
Contact (silver)	Silver clad copper or copper	Silver over nickel
Frame	Steel	Tin over copper
Spring	Music wire	
Plunger Button	Nylon 6/6, black, red or blue. UL94 HB (extended) or UL94V-2 (flush)	
Support bracket (RA*ES versions only)	Brass	Tin over copper
Support bracket, VRA	Steel	Tin over copper
Bushing	Brass	Nickel over copper
ES Housing (ES versions)	Nylon 6/6, natural, UL94 V-2	
ES boot (ES versions)	Vinyl plastisol, black	

Specifications	
Rating	Gold: .4VA max. @ 20VDC or peak AC resistive Silver: 1 A @ 125VAC or 28 VDC resistive
Initial termination resistance	20 milliohms max.
Insulation resistance	1,000 Megohms min @ 500 VDC
Dielectric strength	1,000 volts RMS at sea level
Timing	Break before make
Plunger travel	.030
Actuation force	50 to 400 grams
Life expectancy	.4 VA, 1 pole: 100,000 .4 VA, 2 poles: 80,000 1 A, 1 pole: 60,000 1 A, 2 poles: 50,000
Operating temperature	-30° C to +65° C
Storage temperature	-30° C to +65° C
Terminal seal	Single pole: epoxy Double pole: epoxy optional

Model	Actuator	Poles	Rating	Function	Plating	Terminations	Process Seal	Button color	04
TPB	Blank = extended	1	1 = Gold .4VA	C = SPST momentary	G = Gold	Blank = Wire lug	ES = process sealed 2	0 = Black	
	F = flush	2 (1+1)	3 = Silver 1 Amp 1	F = SPDT momentary	Blank = Silver 1	PC = printed circuit		2 = Red	
		2		M = DPST momentary		RA = right angle 2		6 = Blue	
				R = DPDT momentary		VRA = vertical right angle 3			

NOTES:
 1. Silver only available in wire lug and pc terminations
 2. RAES available with B and C bushing only
 3. VRA only available in single pole

P/N	Alco P/N	Flush Actuator?	Poles	Throws	Plating	Terminals	Process sealed?	Button Color	Function				Dim A
									ALCO	ALCO	ALCO	ALCO	
1825097-1	TPB11CGPC004	no	1	1	Gold	PC	No	Black	Off	Mom	Off	1-3	.133
1825097-2	TPB11CGPC204	no	1	1	Gold	PC	No	Red	Off	Mom	Off	1-3	.133
1825097-3	TPB11CGPCES004	no	1	1	Gold	PC	yes	Black	Off	Mom	Off	1-3	.133
1825097-6	TPB11CGRA004	no	1	1	Gold	Right Angle	No	Black	Off	Mom	Off	1-3	.133
1825097-4	TPB11CGRA204	no	1	1	Gold	Right Angle	No	Red	Off	Mom	Off	1-3	.133
1825097-5	TPB11CGRAES004	no	1	1	Gold	Right Angle	yes	Black	Off	Mom	Off	1-3	.133
1825097-7	TPB11CGRAES204	no	1	1	Gold	Right Angle	yes	Red	Off	Mom	Off	1-3	.133
1825097-8	TPB11CGVRA004	no	1	1	Gold	VRA	No	Black	Off	Mom	Off	1-3	.117
1825097-9	TPB11FGPC004	no	1	2	Gold	PC	No	Black	On	Mom	1-2	2-3	.133
1-1825097-0	TPB11FGPCES204	no	1	2	Gold	PC	yes	Red	On	Mom	1-2	2-3	.133
1-1825097-1	TPB11FGRA004	no	1	2	Gold	Right Angle	No	Black	On	Mom	1-2	2-3	.133
1-1825097-2	TPB11FGRA204	no	1	2	Gold	Right Angle	No	Red	On	Mom	1-2	2-3	.133
1-1825097-3	TPB11FGRA604	no	1	2	Gold	Right Angle	No	Blue	On	Mom	1-2	2-3	.133
1-1825097-4	TPB11FGRAES004	no	1	2	Gold	Right Angle	yes	Black	On	Mom	1-2	2-3	.133
1-1825097-5	TPB11FGRAES604	no	1	2	Gold	Right Angle	yes	Blue	On	Mom	1-2	2-3	.133
1-1825097-6	TPB11FGVRA004	no	1	2	Gold	VRA	No	Black	On	Mom	1-2	2-3	.117
1-1825097-7	TPB21MGPC004	no	2	1	Gold	PC	No	Black	Off	Mom	Off	1-3, 4-6	.133
1-1825097-8	TPB21MGPC204	no	2	1	Gold	PC	No	Red	Off	Mom	Off	1-3, 4-6	.133
2-1825097-8	TPB21MGRA004	no	2	1	Gold	Right Angle	No	Black	Off	Mom	Off	1-3, 4-6	.133
1-1825097-9	TPB21RGRA004	no	2	2	Gold	Right Angle	No	Black	On	Mom	1-2, 4-5	2-3, 5-6	.133
2-1825097-0	TPBF11CGPCES004	yes	1	1	Gold	PC	yes	Black	Off	Mom	Off	1-3	.000
2-1825097-1	TPBF11CGRA004	yes	1	1	Gold	Right Angle	No	Black	Off	Mom	Off	1-3	.000
2-1825097-2	TPBF11CGRAES004	yes	1	1	Gold	Right Angle	yes	Black	Off	Mom	Off	1-3	.000
2-1825097-3	TPBF11FGPCES004	yes	1	2	Gold	PC	yes	Black	On	Mom	1-2	2-3	.000
2-1825097-4	TPBF11FGRA004	yes	1	2	Gold	Right Angle	No	Black	On	Mom	1-2	2-3	.000
2-1825097-5	TPBF11FGRA204	yes	1	2	Gold	Right Angle	No	Red	On	Mom	1-2	2-3	.000
2-1825097-6	TPBF11FGRAES004	yes	1	2	Gold	Right Angle	yes	Black	On	Mom	1-2	2-3	.000

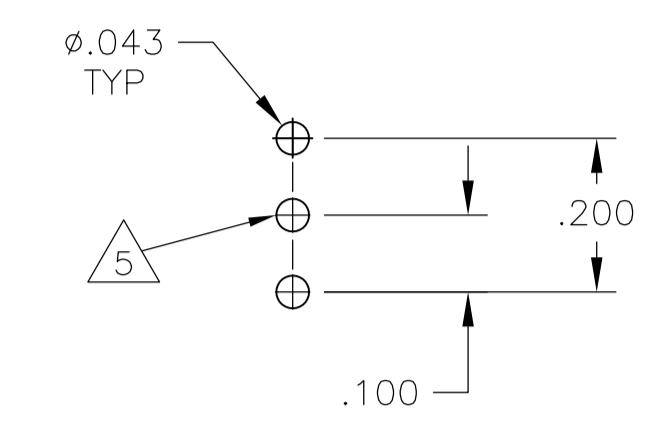
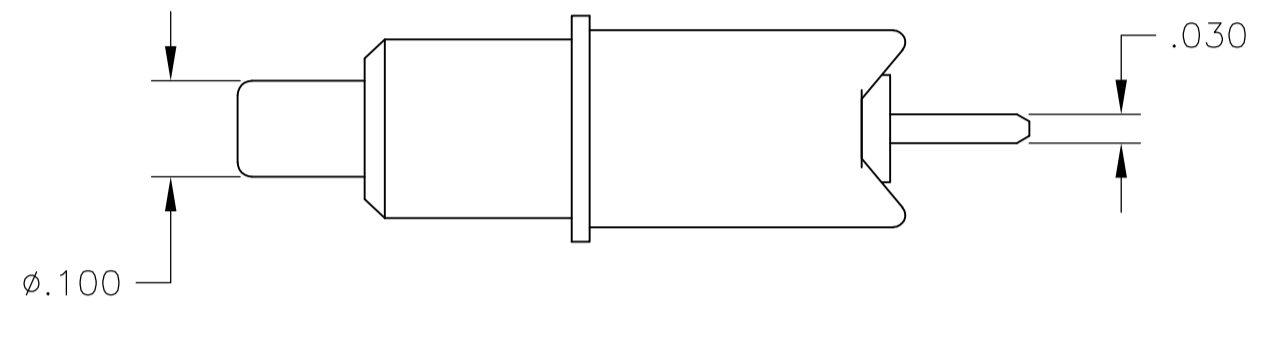
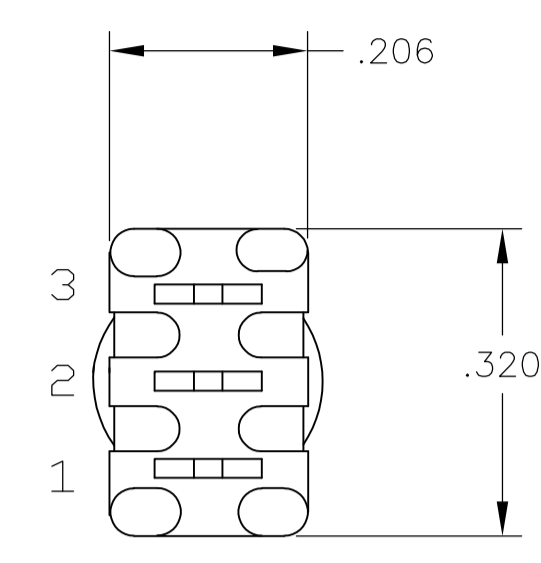
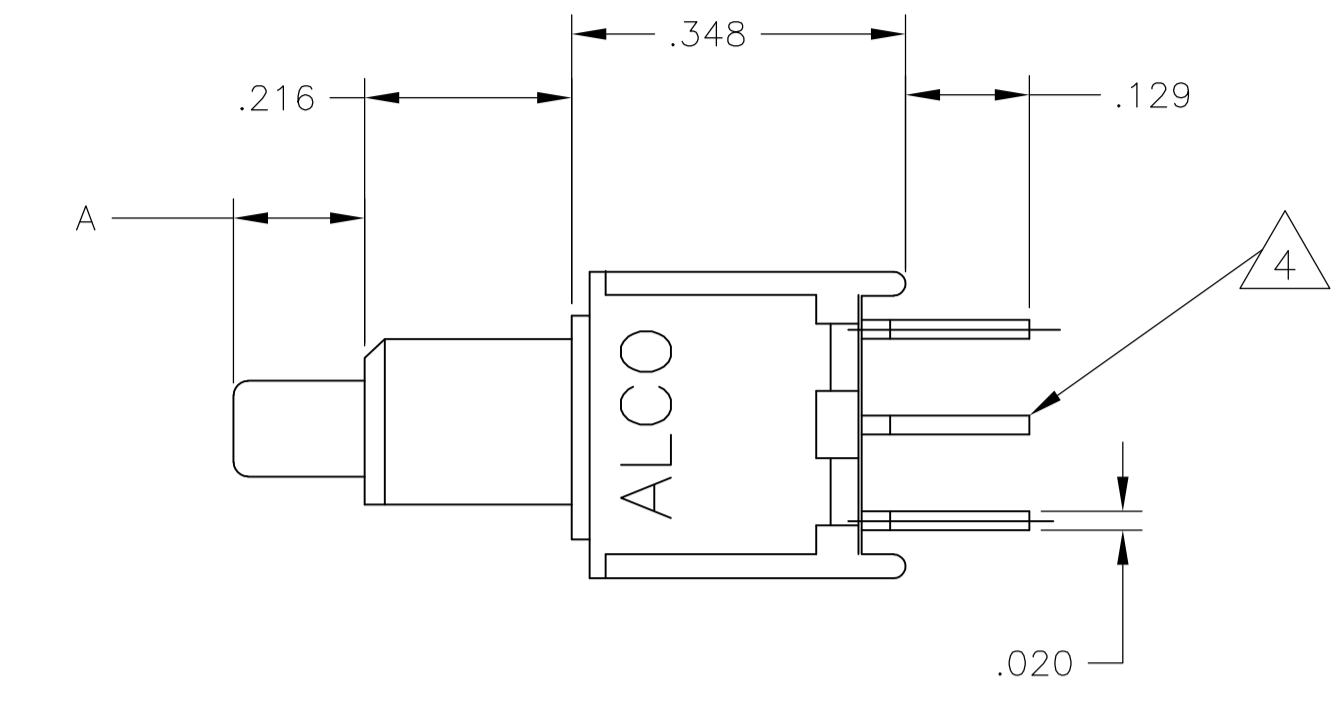
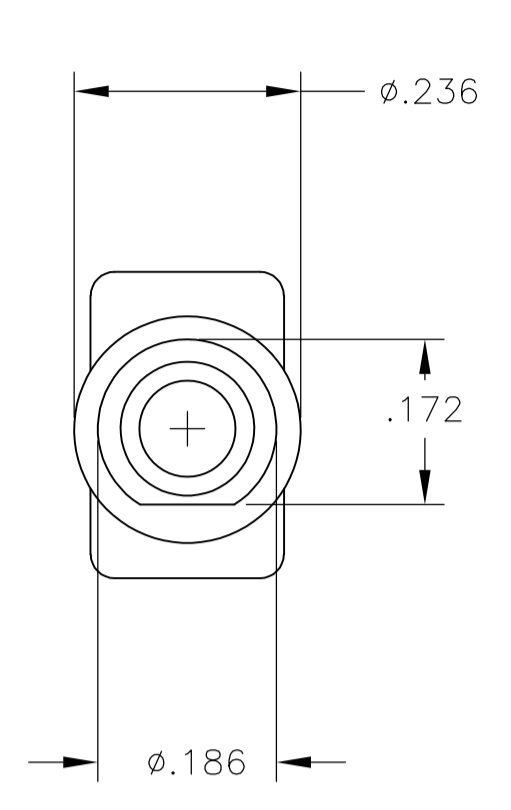
- NOTES:
- TERMINAL NUMBERS ARE FOR REFERENCE ONLY AND DO NOT APPEAR ON SWITCHES
 - ALL MATERIALS AND FINISHES COMPLY WITH EU DIRECTIVE 2002/95/EC OF 27JAN2003 (ROHS).
 - DISPOSABLE BOOT SUPPLIED WITH ES VERSIONS. BOOT TO BE PLACED OVER BUSHING BEFORE SOLDER WASHING
 - CENTER TERMINAL PRESENT ON DOUBLE THROW SWITCHES ONLY.
 - CENTER HOLE REQUIRED ON DOUBLE THROW SWITCHES ONLY.

THIS DRAWING IS A CONTROLLED DOCUMENT. DIM: M. BINNER 20JUL05
 CHK: M. ZITTO 21JUL05
 APVD: M. ZITTO 21JUL05
 NAME: PUSHBUTTON SWITCH, TPB SERIES

STE TE Connectivity

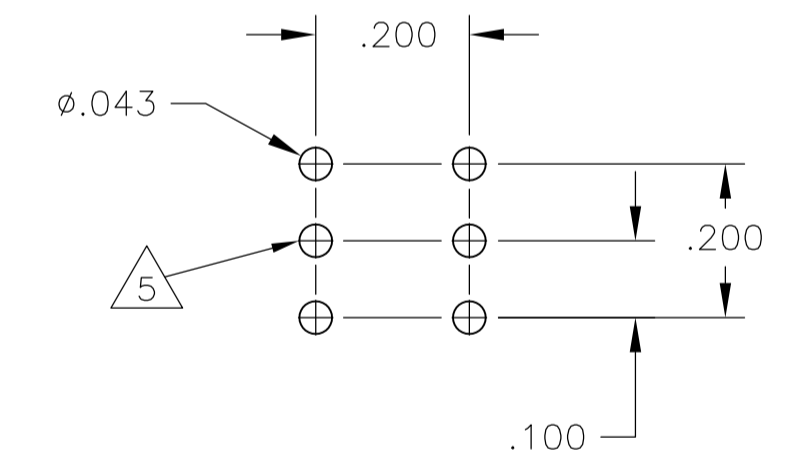
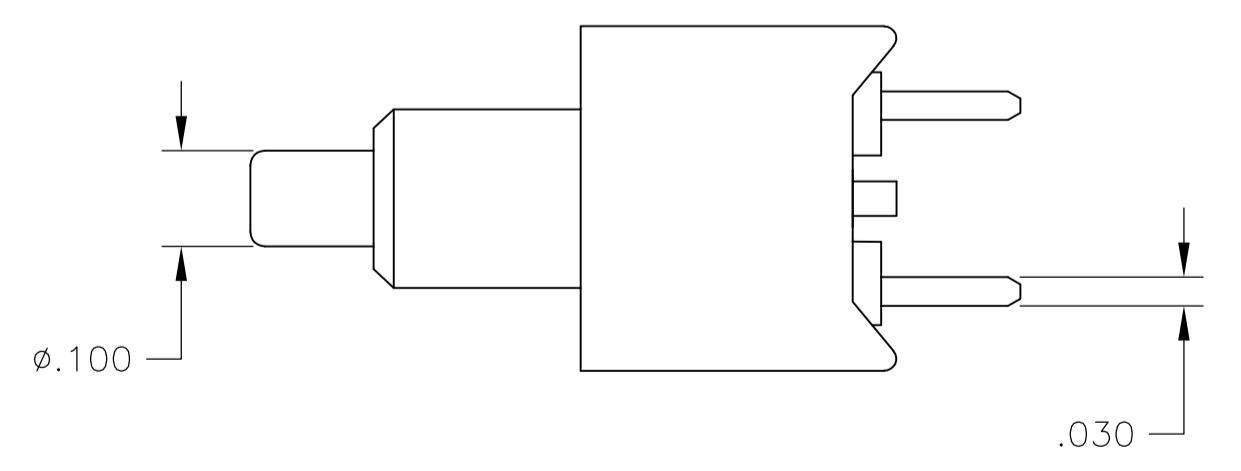
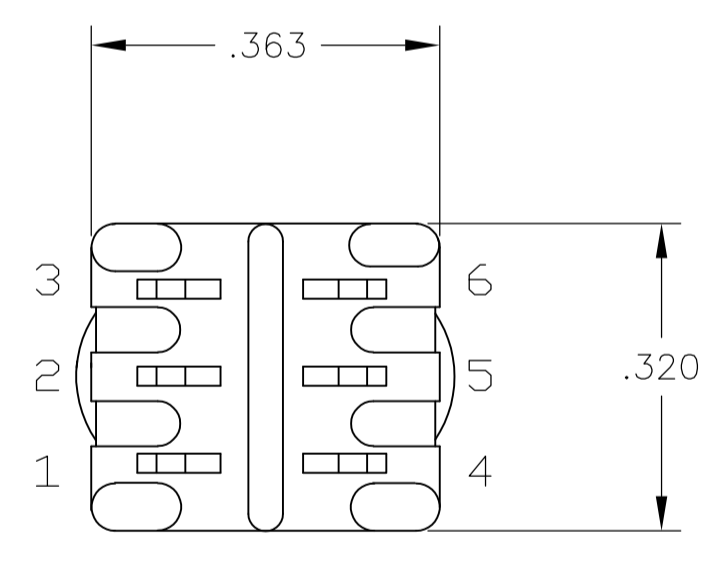
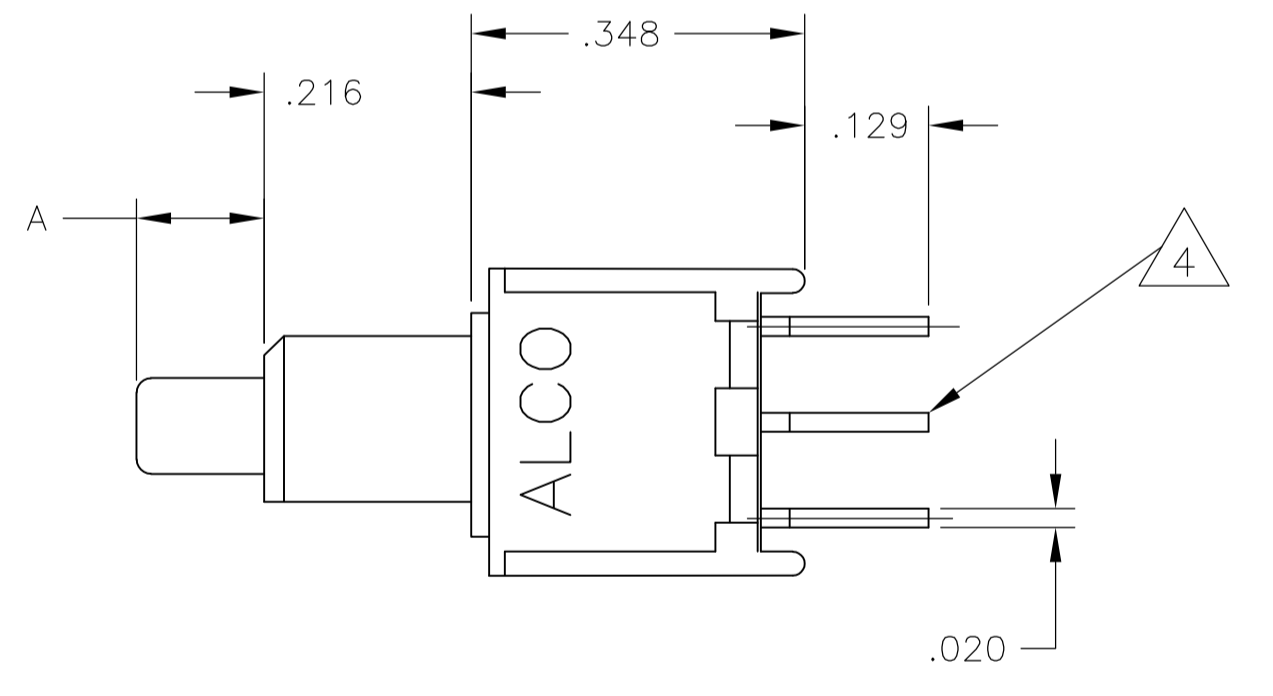
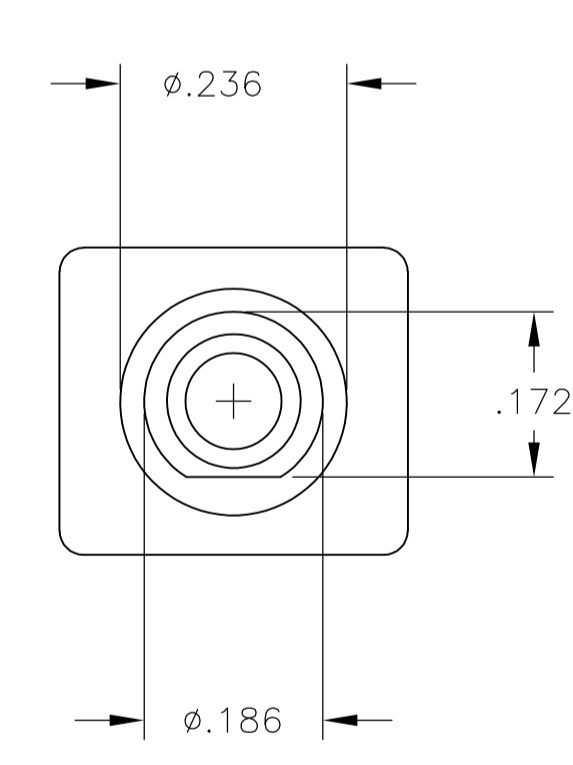
PRODUCT SPEC: -
 APPLICATION SPEC: -
 SIZE: A1 CASE CODE: 00779 DRAWING NO: 1825097
 WEIGHT: -
 CUSTOMER DRAWING SCALE: 4:1 SHEET 1 OF 6 REV: A1

LOC		DIST		REVISIONS			
AD		P	LTR	DESCRIPTION	DATE	DN	APVD
		-	-	SEE SHEET 1	-	-	-



PCB HOLE LAYOUT

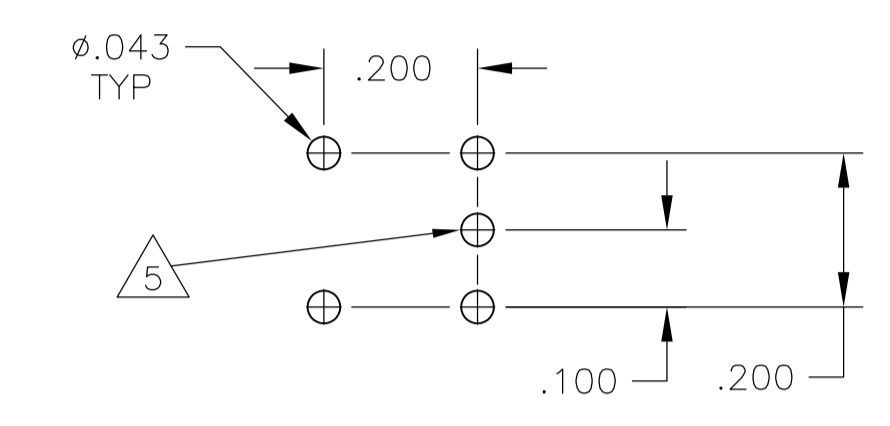
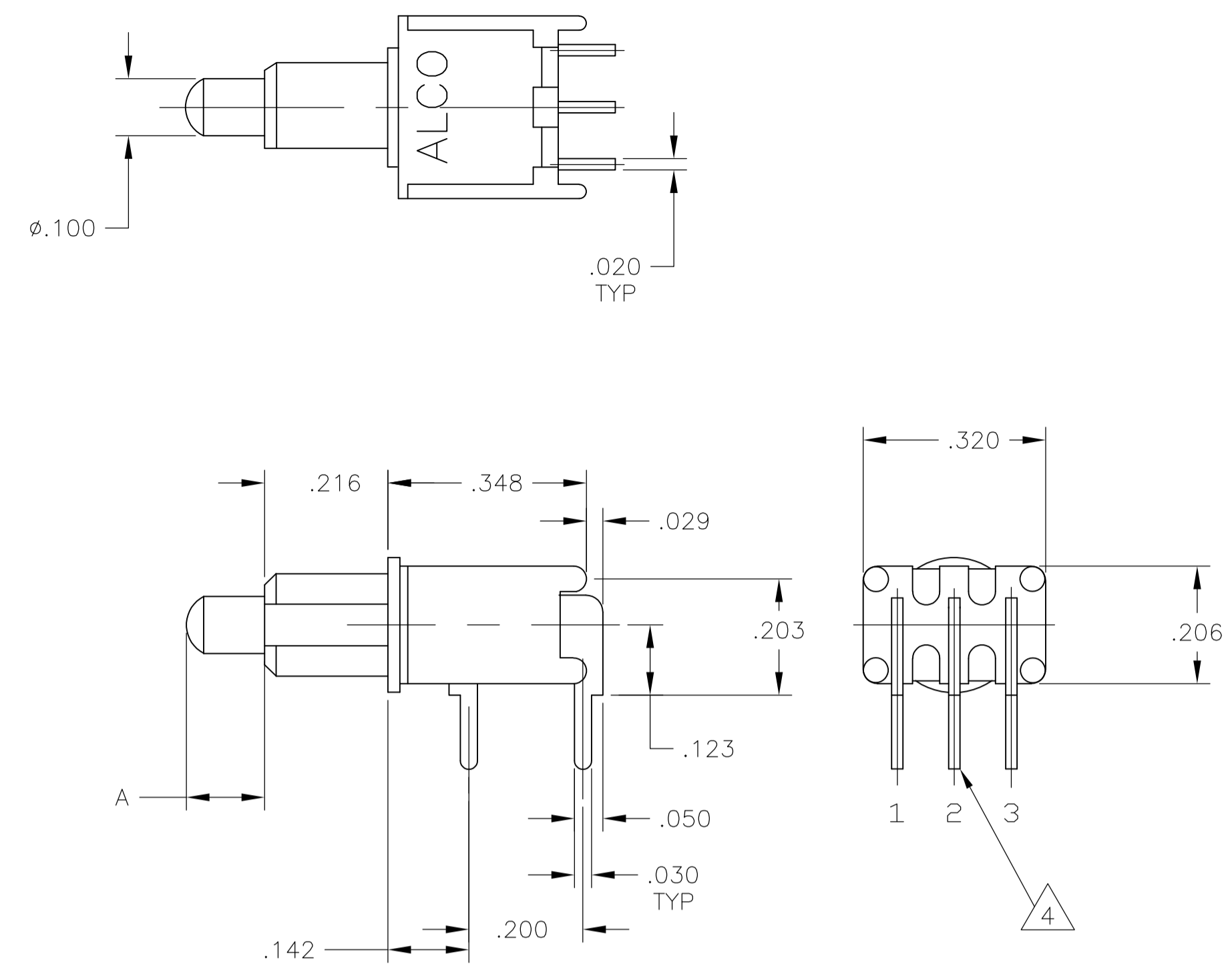
TPB11CGPC & TPB11F6PC



PCB HOLE LAYOUT

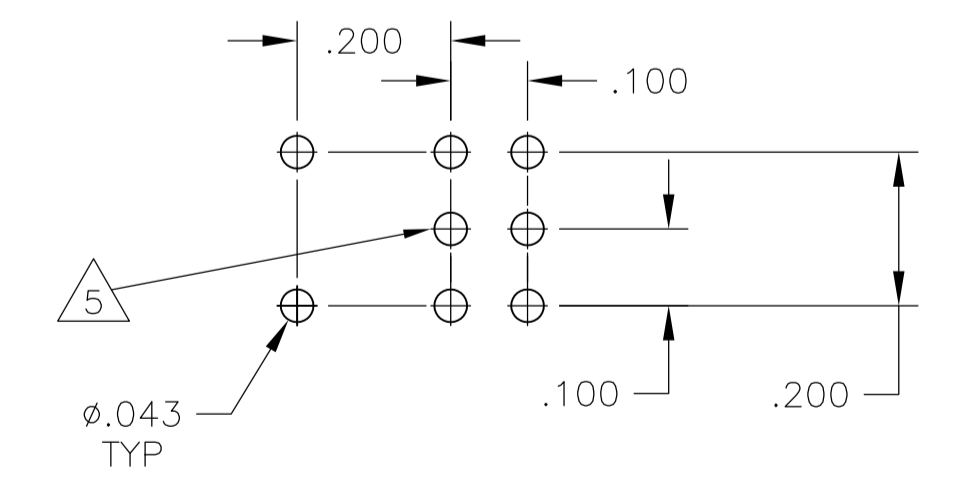
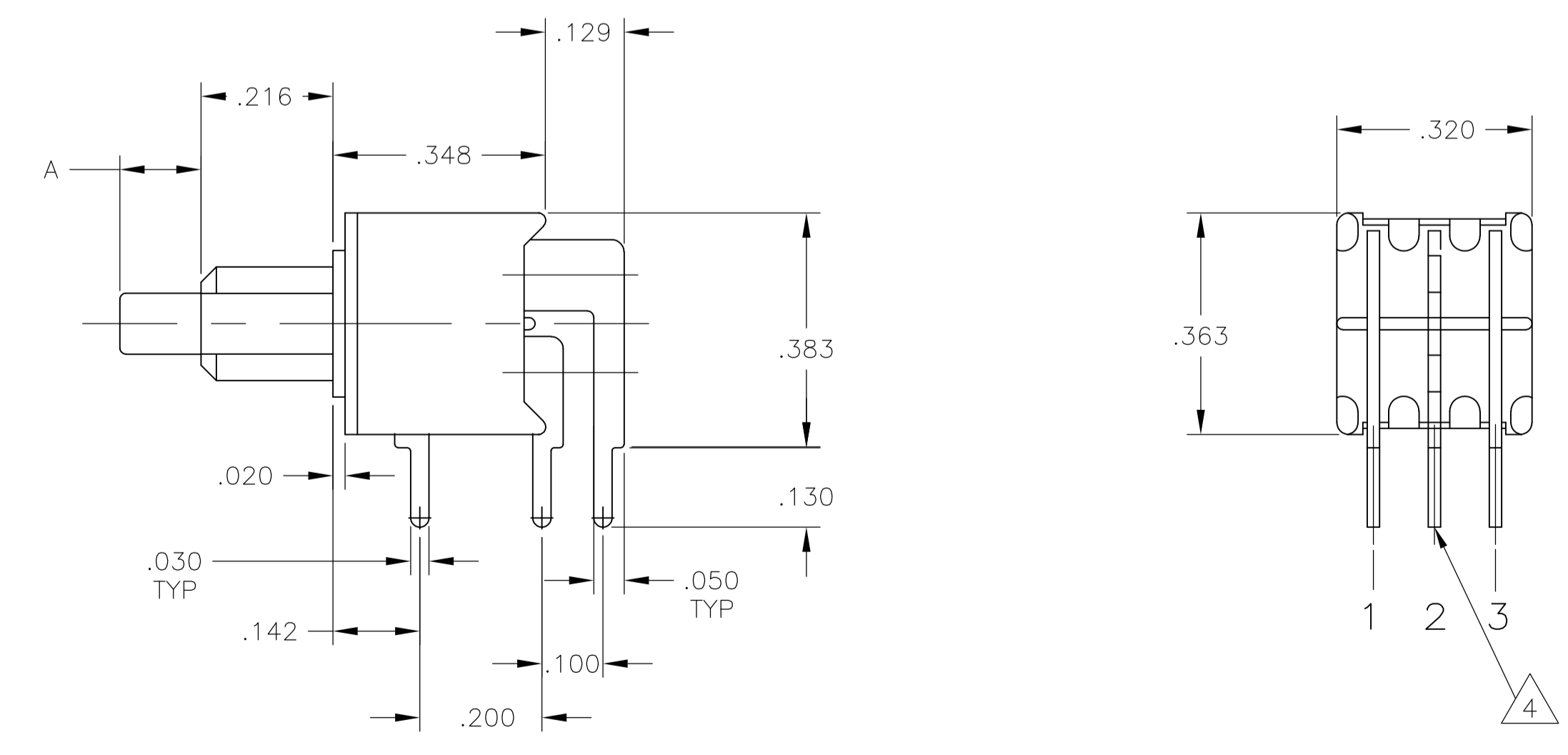
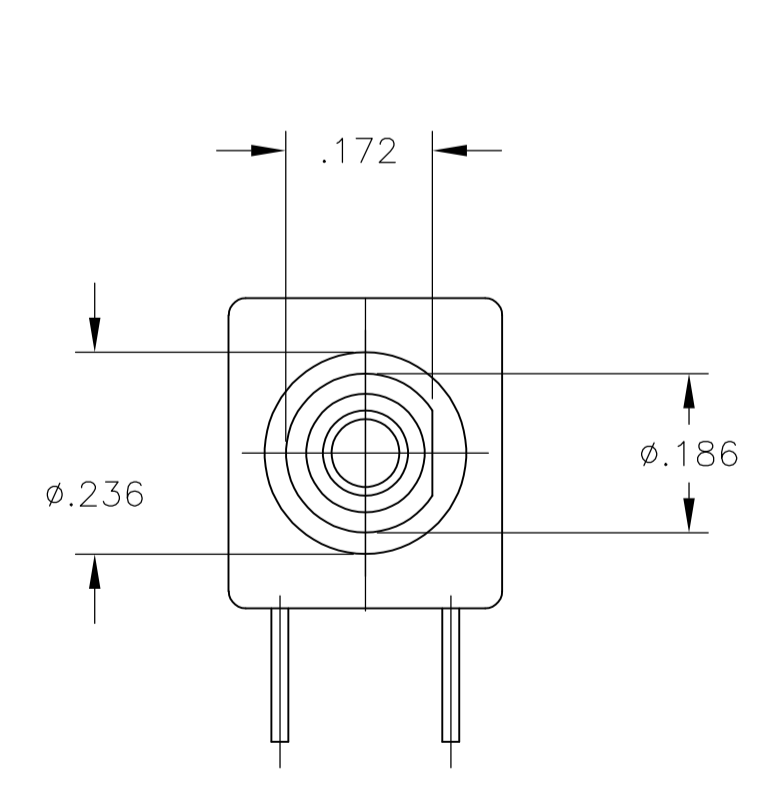
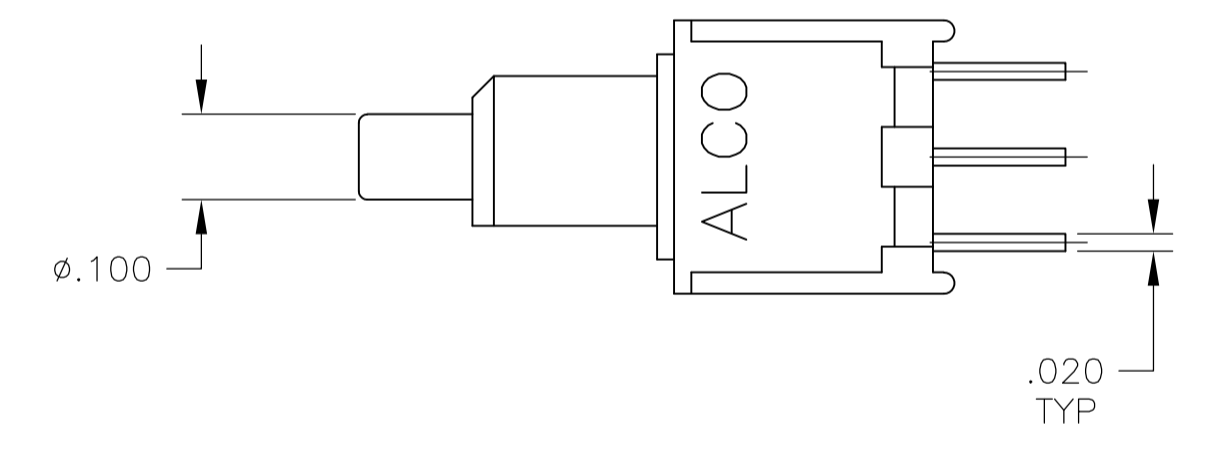
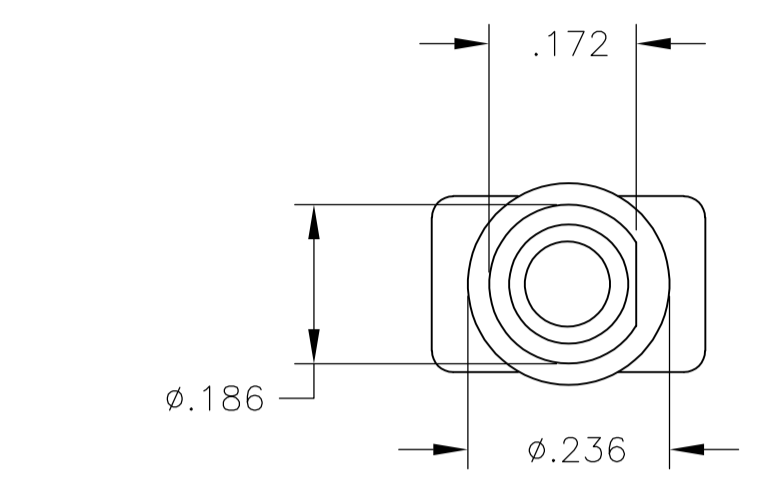
TPB21MGPC & TPB21RGPC

THIS DRAWING IS A CONTROLLED DOCUMENT.		DWN M. BINNER	20JUL05		TE Connectivity	
DIMENSIONS: INCHES		CHK M. ZITTO	21JUL05		NAME PUSHBUTTON SWITCH, TPB SERIES	
TOLERANCES UNLESS OTHERWISE SPECIFIED:		APP'D M. ZITTO	21JUL05	PRODUCT SPEC		
0. PLC ± -		APPLICATION SPEC		SIZE		
1. PLC ± -		RESTRICTED TO		SCALE		
2. PLC ± -		WEIGHT		SHEET		
3. PLC ± .010		A1 00779		OF		
4. PLC ± -		C=1825097		REV		
ANGLES ± -		CUSTOMER DRAWING		A1		
FINISH		SCALE 4:1		SHEET 2 OF 6		



PCB HOLE LAYOUT

TPB11CGRA & TPB11FGRA
TPBF11CGRA & TPBF11FGRA

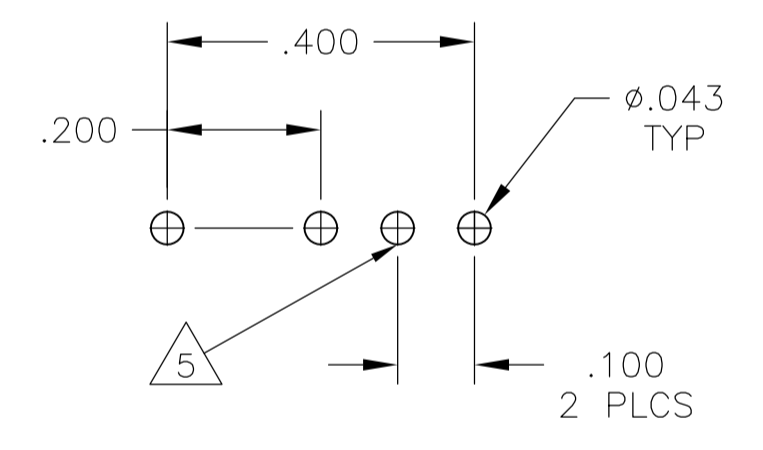
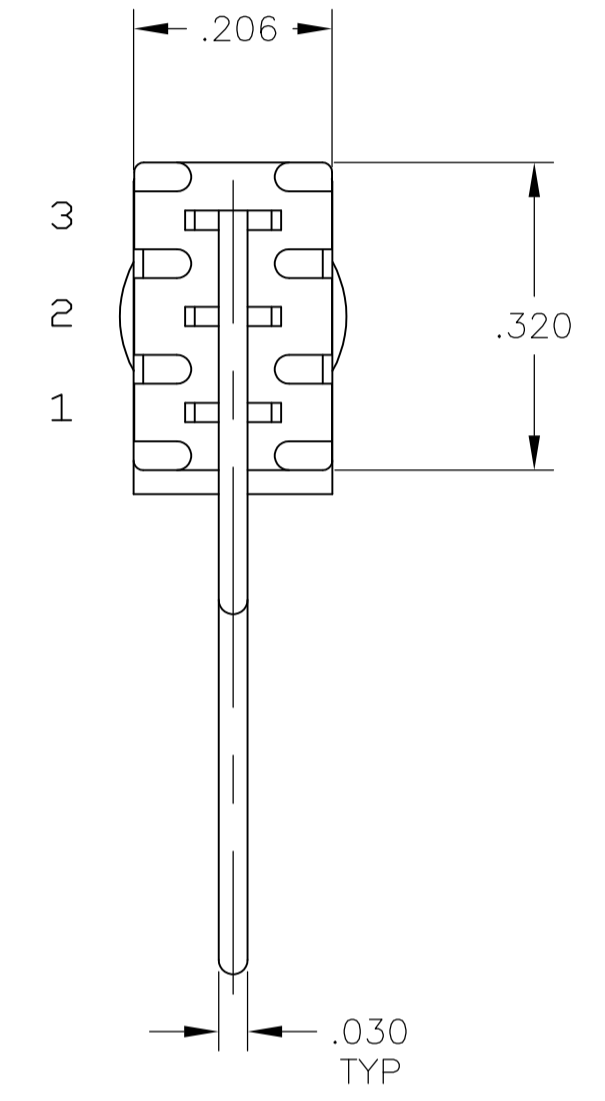
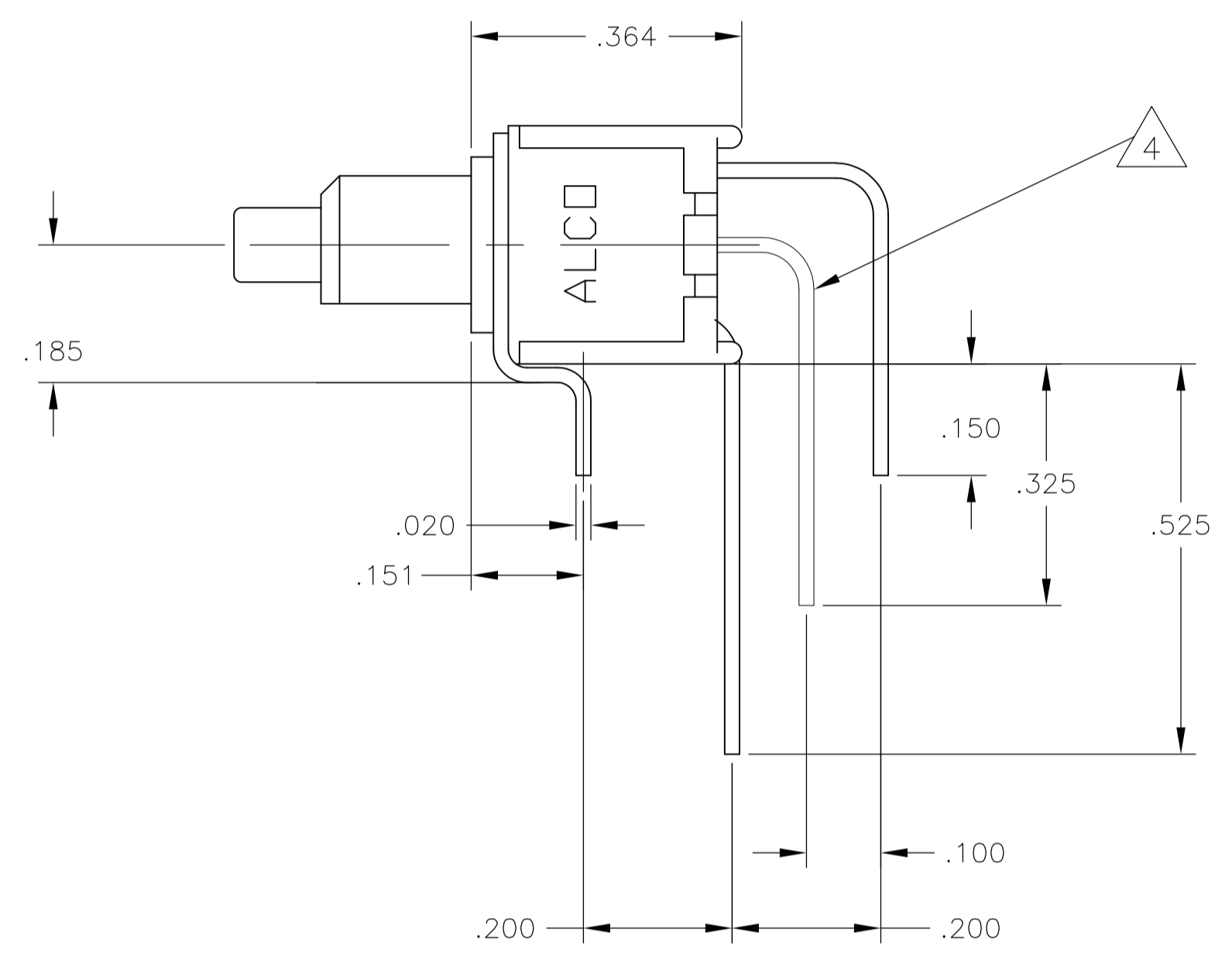
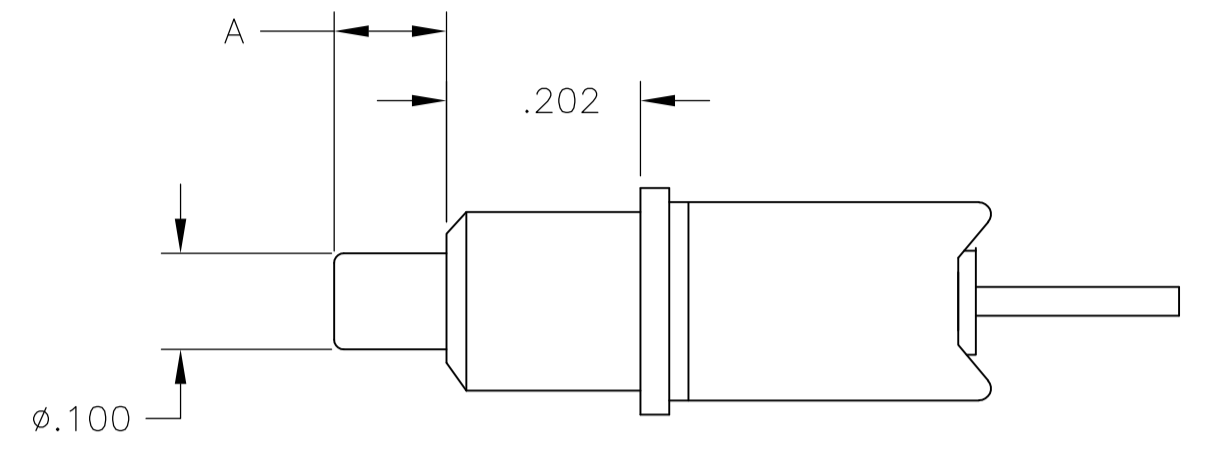
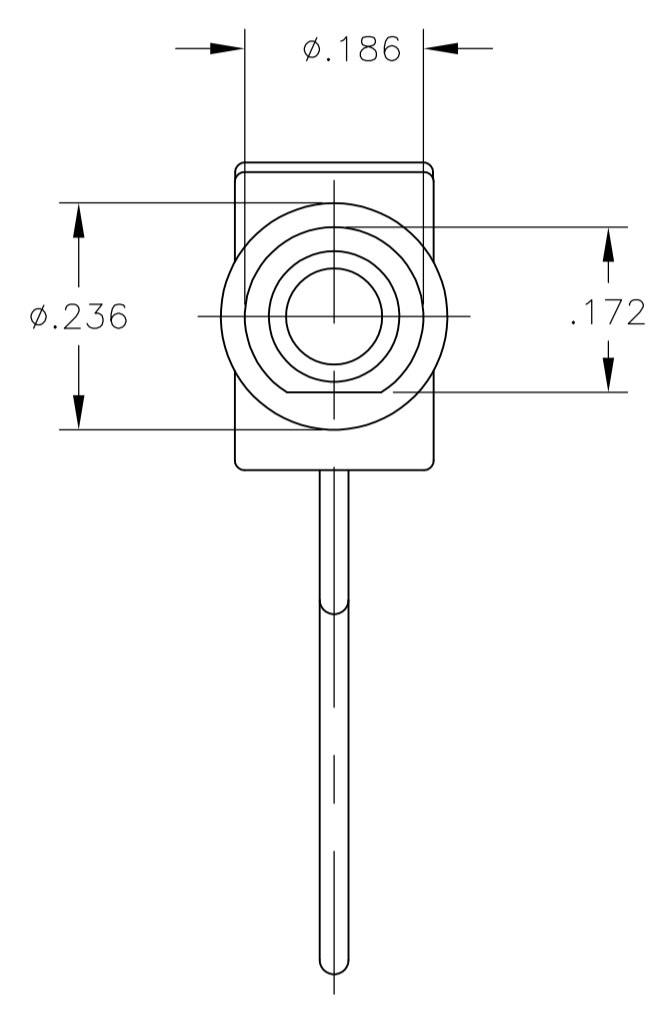


PCB HOLE LAYOUT

TPB21MGRA & TPB21RGRA

THIS DRAWING IS A CONTROLLED DOCUMENT.		DWN M. BINNER 20JUL05	TE Connectivity	
DIMENSIONS: INCHES		CHK M. ZITTO 21JUL05		
TOLERANCES UNLESS OTHERWISE SPECIFIED:		NAME M. ZITTO 21JUL05	PUSHBUTTON SWITCH, TPB SERIES	
0. PLC	± .010	PRODUCT SPEC	-	
1. PLC	± .010	APPLICATION SPEC	-	
2. PLC	± .010	SIZE	A1	00779
3. PLC	± .010	WEIGHT	-	
4. PLC	± .010	CUSTOMER DRAWING	-	
ANGLES	± .010	SCALE	4:1	SHEET 3 OF 6
		REV	A1	

LOC		DIST		REVISIONS			
P	LTR	DESCRIPTION	DATE	DNW	APVD		
-	-	SEE SHEET 1	-	-	-	-	-

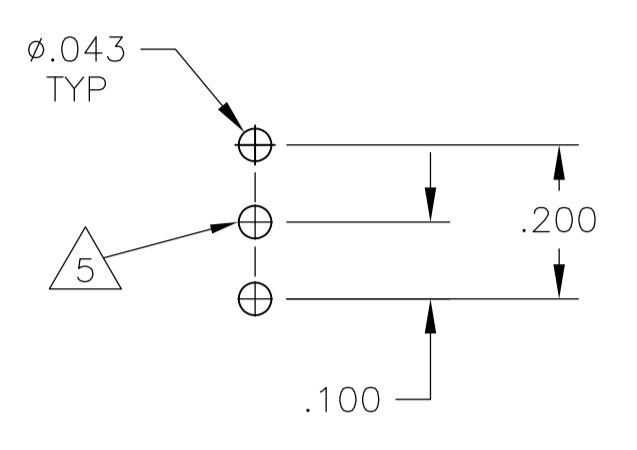


PCB HOLE LAYOUT

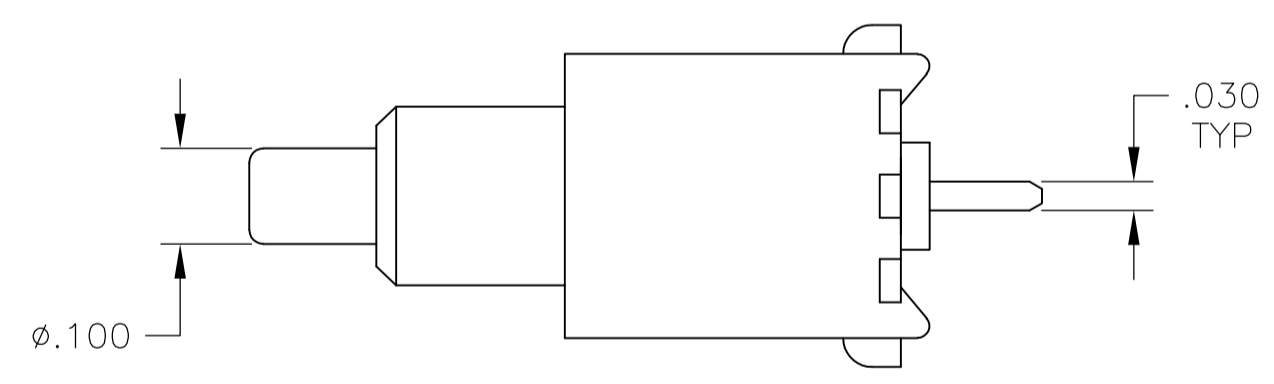
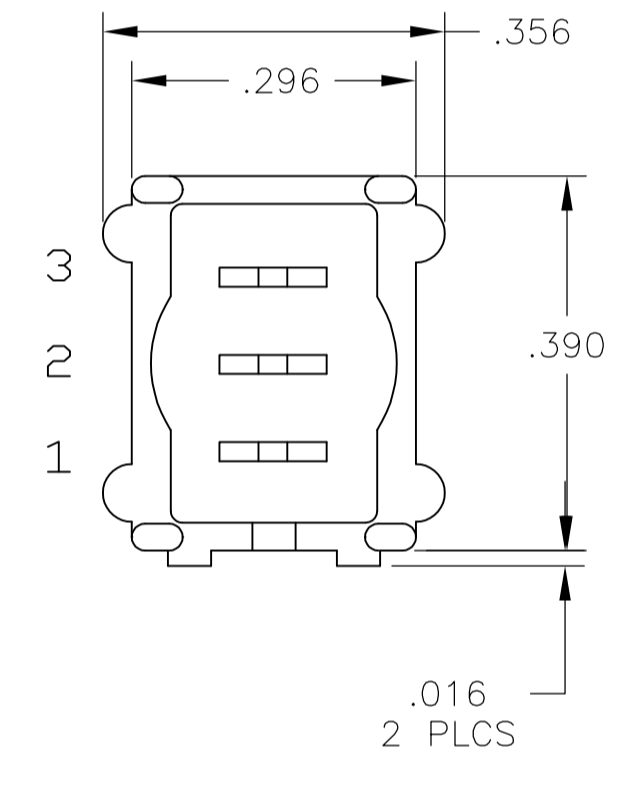
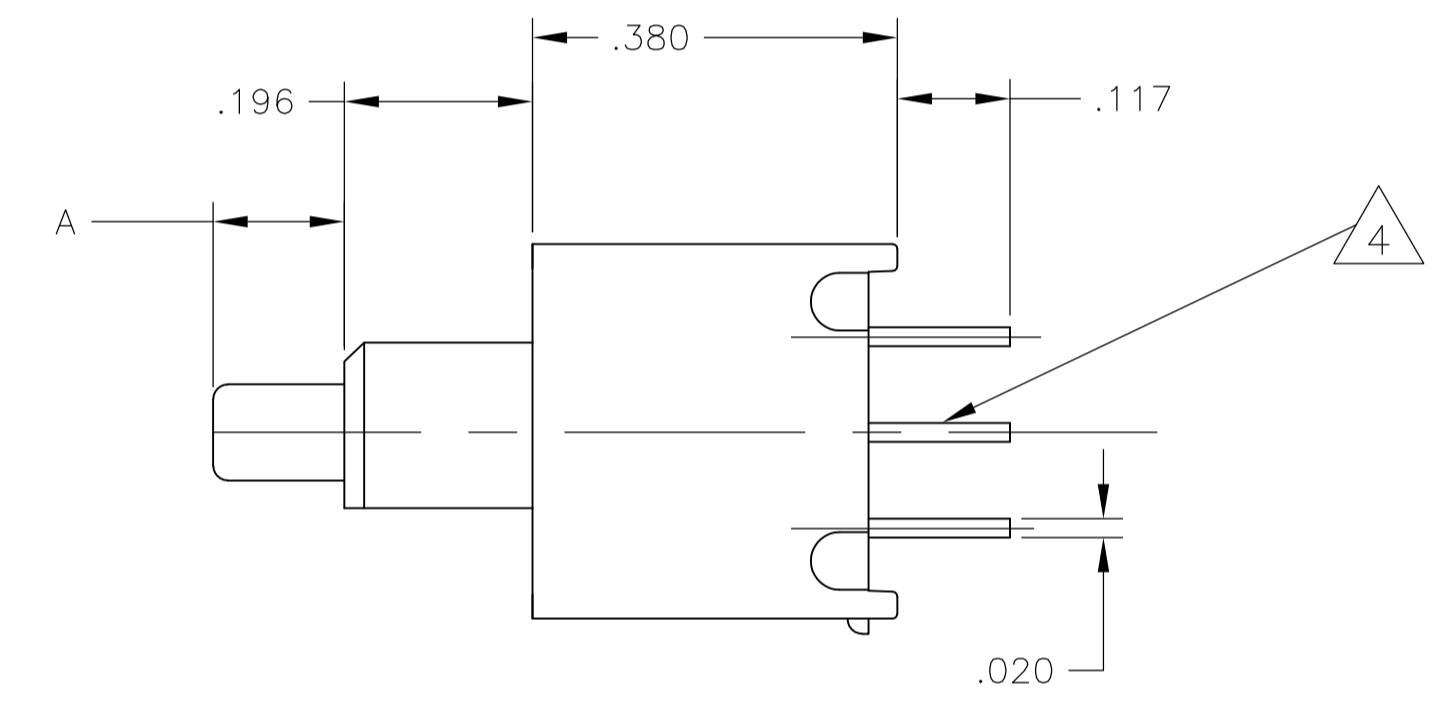
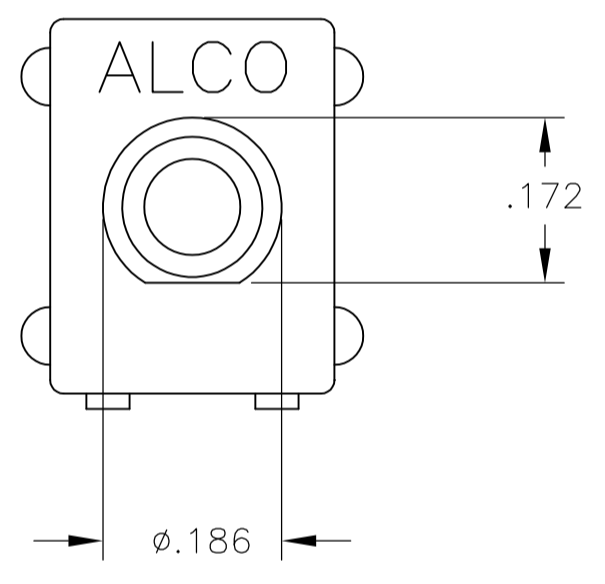
TPB11CVRA & TPB11FGVRA

THIS DRAWING IS A CONTROLLED DOCUMENT.		DWG: M. BINNER 20JUL05			
DIMENSIONS: INCHES		CHK: M. ZITTO 21JUL05			
TOLERANCES UNLESS OTHERWISE SPECIFIED:		APP'D: M. ZITTO 21JUL05		NAME: PUSHBUTTON SWITCH, TPB SERIES	
0. PLC ± - 1. PLC ± - 2. PLC ± - 3. PLC ± .010 4. PLC ± - ANGLES ± -		PRODUCT SPEC: -		APPLICATION SPEC: -	
MATERIAL: -		WEIGHT: -		SIZE: A1	
FINISH: -		CUSTOMER DRAWING		SCALE: 4:1 SHEET 4 OF 6 REV A1	

LOC	DIST	REVISIONS			
AD	-	REV	DATE	BY	APPV
-	-	1	SEE SHEET 1	-	-

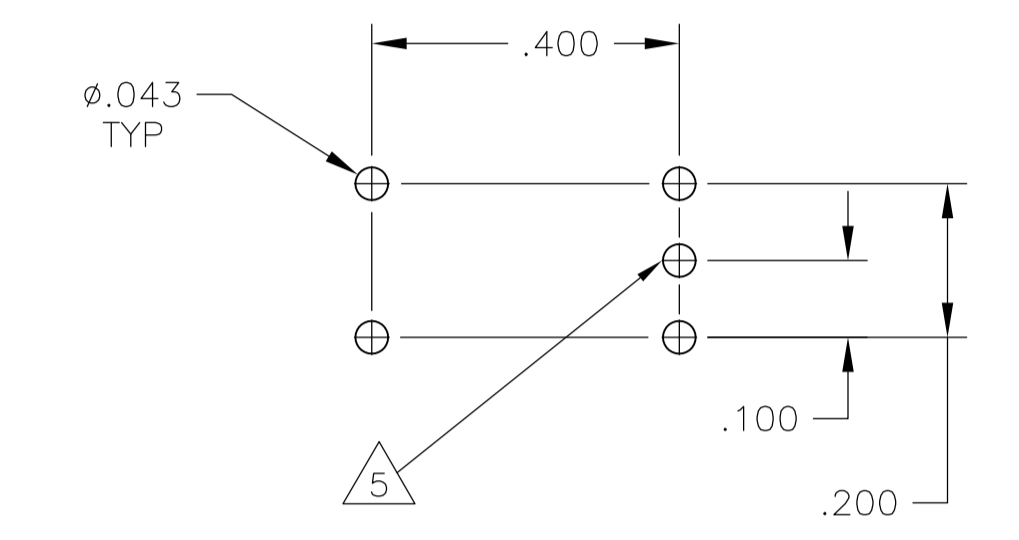
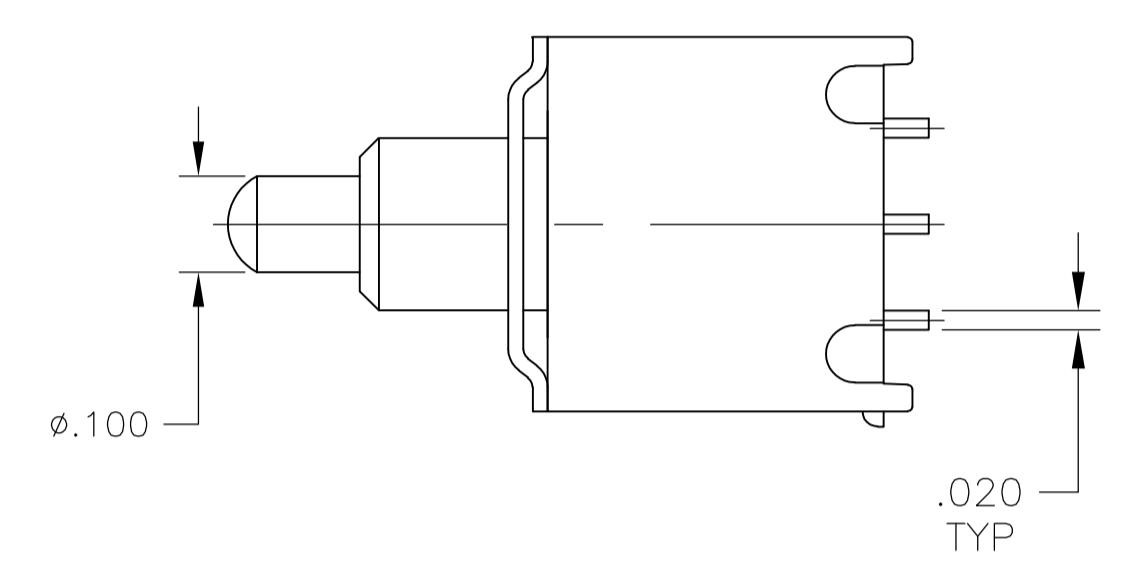


PCB HOLE LAYOUT

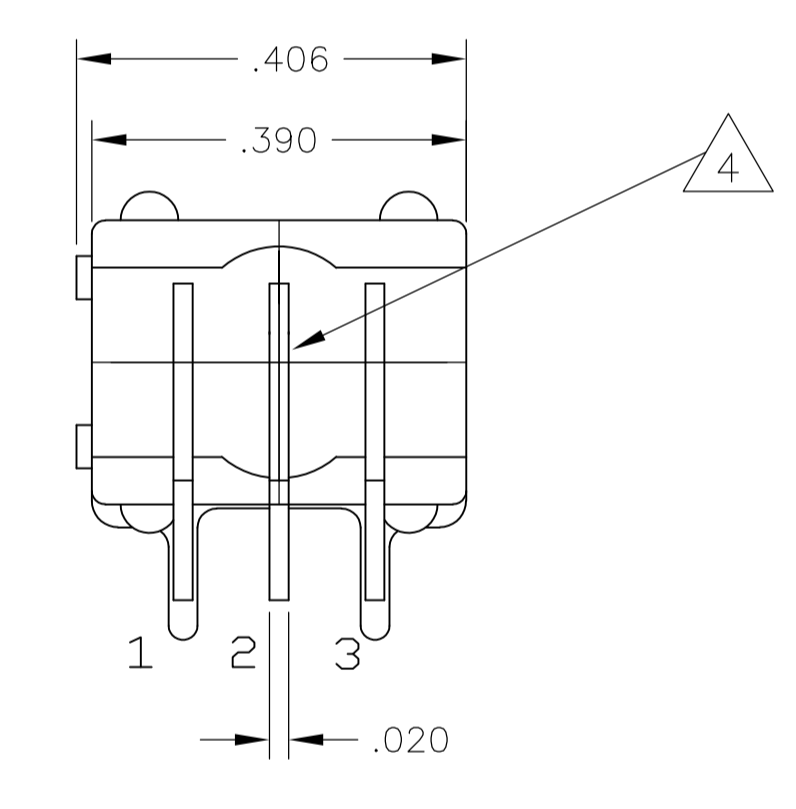
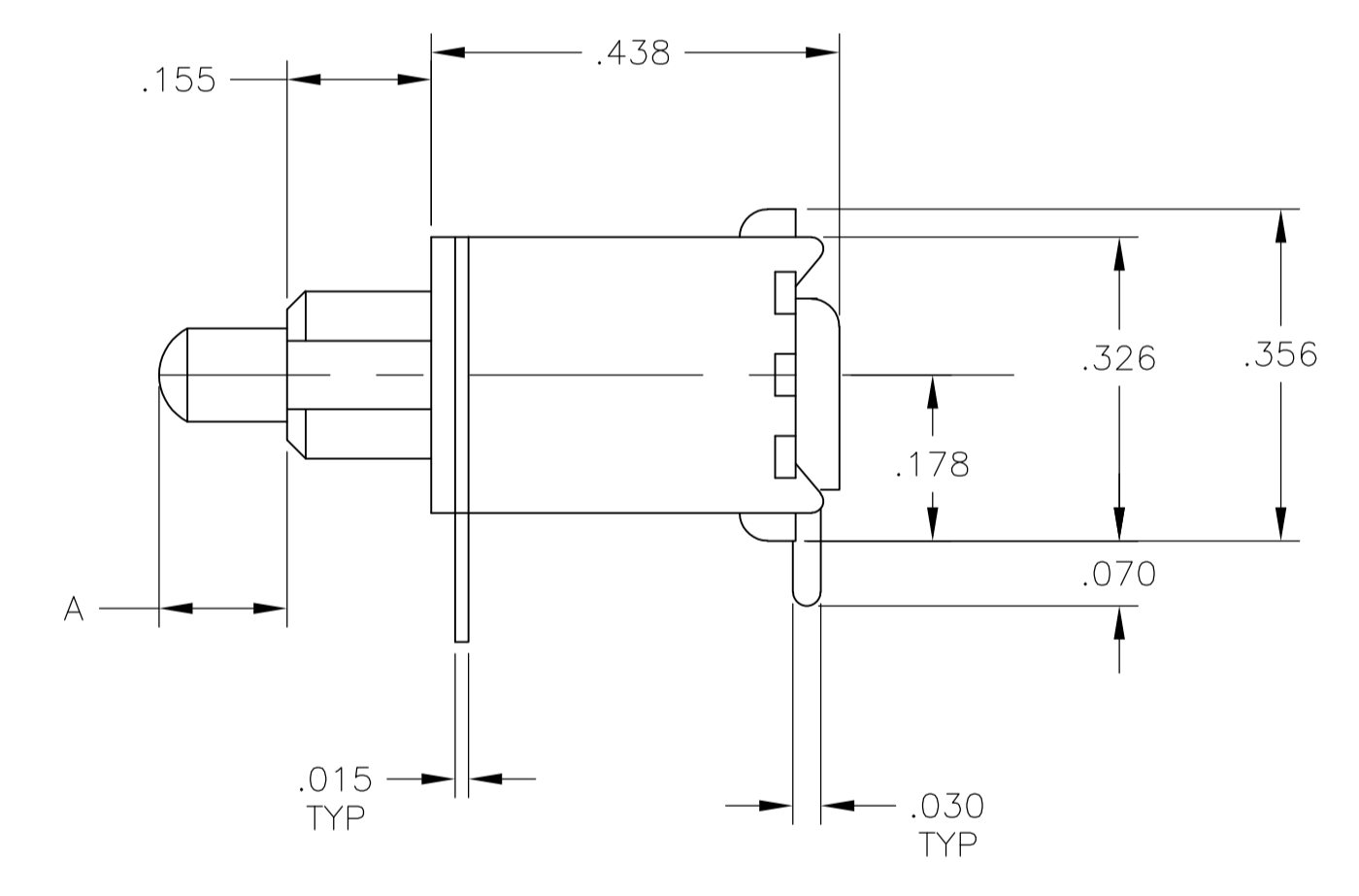
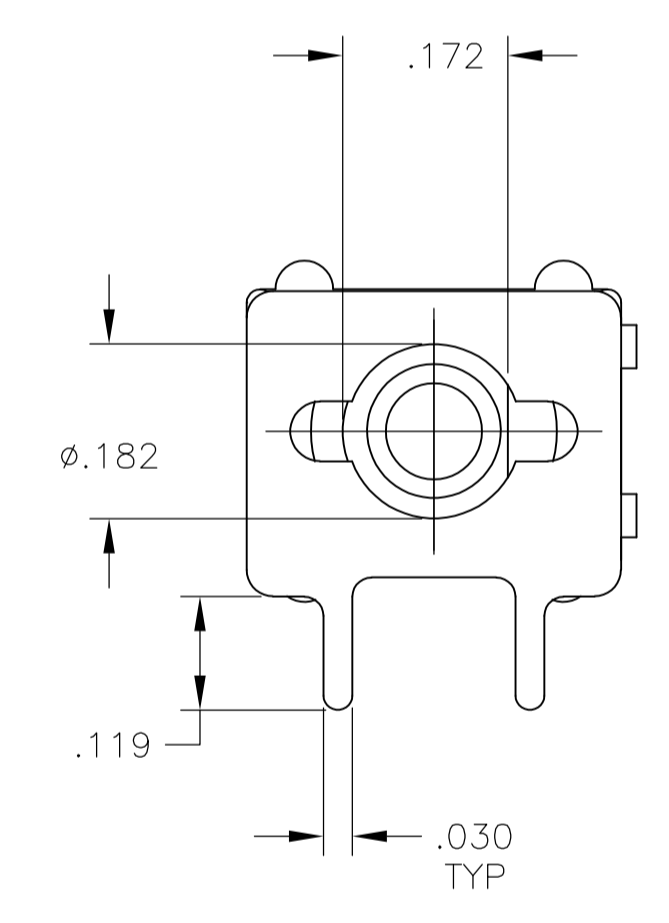


TPB11CGPCES & TPB11FGPCES
 TPBF11CGPCES & TPBF11FGPCES

THIS DRAWING IS A CONTROLLED DOCUMENT.		DWG M. BINNER	20JUL05																						
		CHK M. ZITTO	21JUL05																						
DIMENSIONS: INCHES		TOLERANCES UNLESS OTHERWISE SPECIFIED:		NAME PUSHBUTTON SWITCH, TPB SERIES																					
<table border="1"> <tr><td>0. PLC</td><td>± .010</td></tr> <tr><td>1. PLC</td><td>± .010</td></tr> <tr><td>2. PLC</td><td>± .010</td></tr> <tr><td>3. PLC</td><td>± .010</td></tr> <tr><td>4. PLC</td><td>± .010</td></tr> <tr><td>ANGLES</td><td>± .010</td></tr> </table>		0. PLC	± .010	1. PLC	± .010	2. PLC	± .010	3. PLC	± .010	4. PLC	± .010	ANGLES	± .010	<table border="1"> <tr><td>APPROV</td><td>M. ZITTO</td><td>21JUL05</td></tr> <tr><td>PRODUCT SPEC</td><td></td><td></td></tr> <tr><td>APPLICATION SPEC</td><td></td><td></td></tr> </table>		APPROV	M. ZITTO	21JUL05	PRODUCT SPEC			APPLICATION SPEC			RESTRICTED TO
0. PLC	± .010																								
1. PLC	± .010																								
2. PLC	± .010																								
3. PLC	± .010																								
4. PLC	± .010																								
ANGLES	± .010																								
APPROV	M. ZITTO	21JUL05																							
PRODUCT SPEC																									
APPLICATION SPEC																									
MATERIAL		WEIGHT	SIZE A1	CAGE CODE 00779																					
FINISH		DRAWING NO 1825097	SCALE 4:1	SHEET 5 OF 6																					
CUSTOMER DRAWING		REV A1																							



PCB HOLE LAYOUT



TPB11CGRAES & TPB11FGRAES
 TPBF11CGRAES & TPBF11FGRAES

THIS DRAWING IS A CONTROLLED DOCUMENT.		DWN M. BINNER 20JUL05					
		CHK M. ZITTO 21JUL05					
DIMENSIONS: INCHES		TOLERANCES UNLESS OTHERWISE SPECIFIED:		NAME PUSHBUTTON SWITCH, TPB SERIES			
		0. PLC ± -	APVD M. ZITTO 21JUL05	PRODUCT SPEC			
		1. PLC ± -	NAME				
		2. PLC ± -	APPLICATION SPEC				
		3. PLC ± .010	SIZE A1	CAGE CODE 00779	DRAWING NO. 1825097	RESTRICTED TO	
MATERIAL		FINISH	WEIGHT	CUSTOMER DRAWING	SCALE 4:1	SHEET 6 OF 6	REV A1