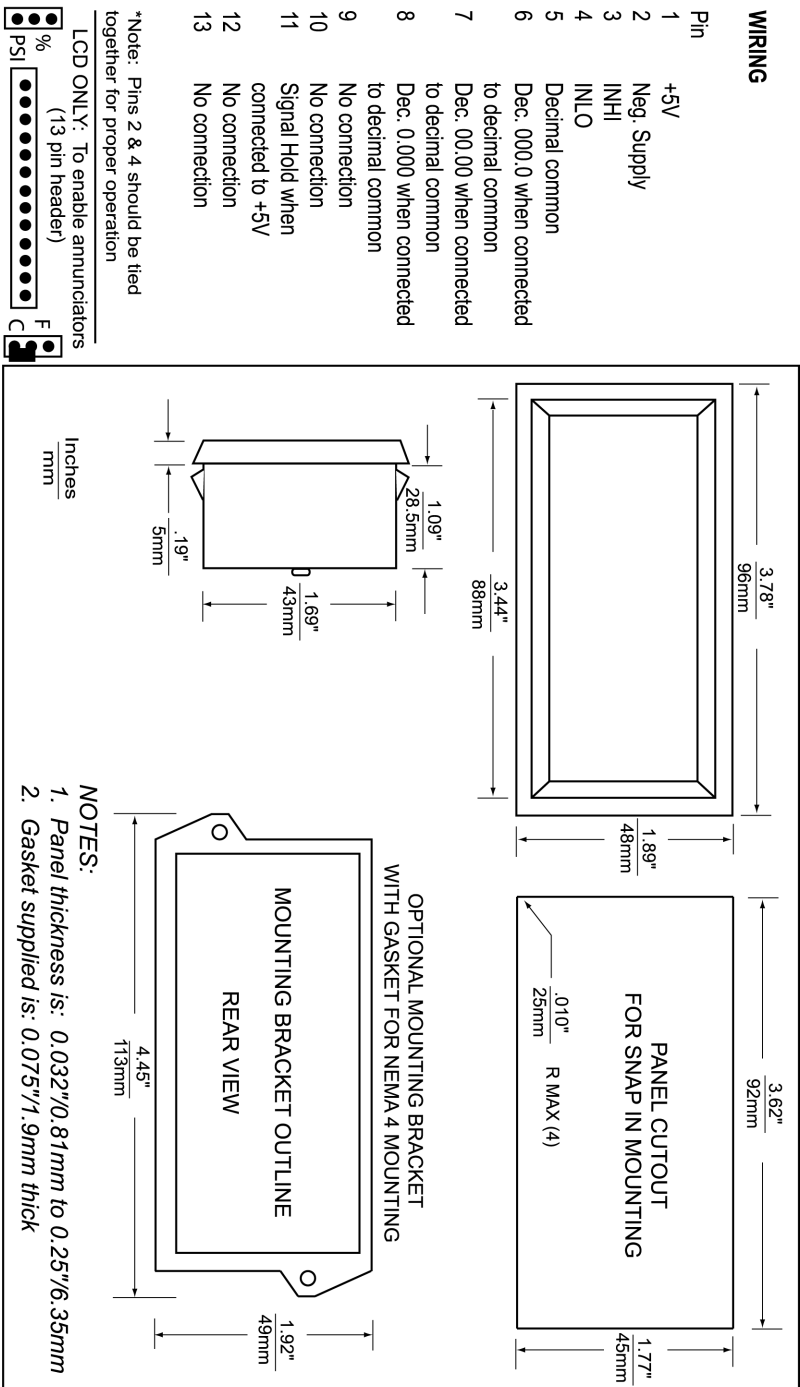


Big Digit Series

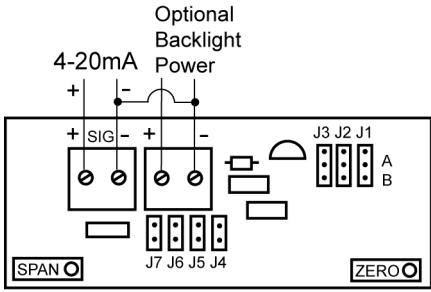
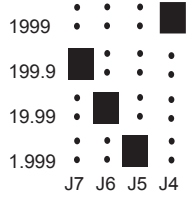


IS-012

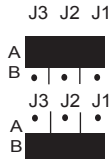
Rev. 4H06

4-20mA Wiring LCD

1. DECIMAL SELECTION:



(upper) WIRING

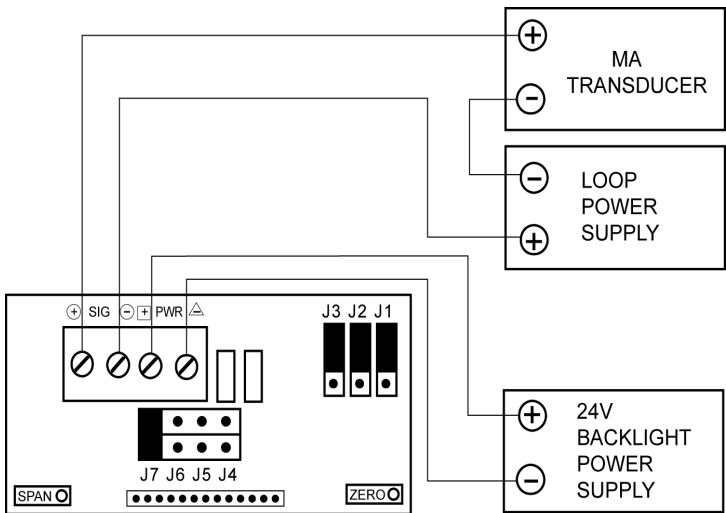


2. J1, J2, J3 SELECTION:

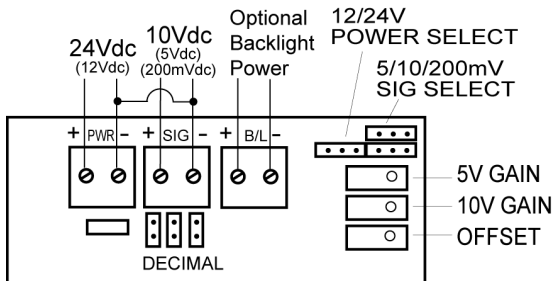
IF: OFFSET (ZERO) IS 0 **or** OFFSET (ZERO) > 0 **and** GAIN (SPAN) + OFFSET (ZERO) ≥ 5

IF: OFFSET (ZERO) > 0 **and** GAIN (SPAN) + OFFSET (ZERO) < 5

4-20mA Wiring LED



RVM Wiring



IS-012

Rev. 4H06