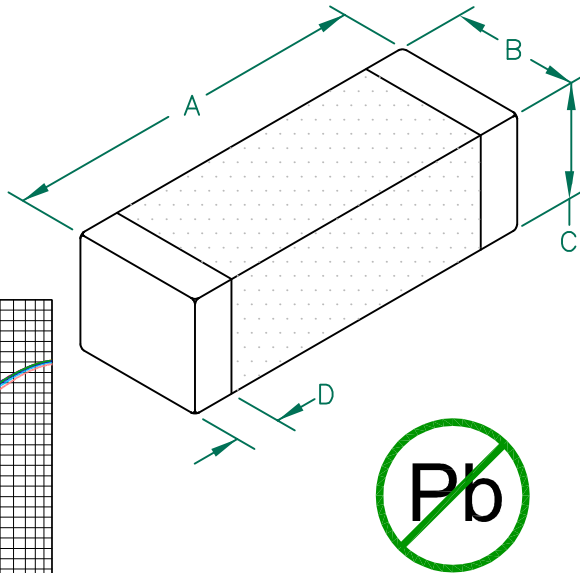


# LI1806E800R-10

**UNCONTROLLED DOCUMENT**

PHYSICAL DIMENSIONS:

A	4.50 [.177]	+ 0.25 [.010]
B	1.60 [.063]	+ 0.25 [.010]
C	1.60 [.063]	+ 0.25 [.010]
D	0.51 [.020]	+ 0.25 [.010]

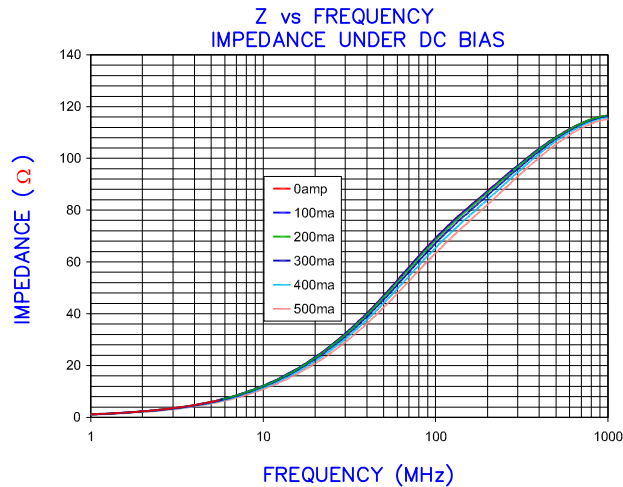


ELECTRICAL CHARACTERISTICS:

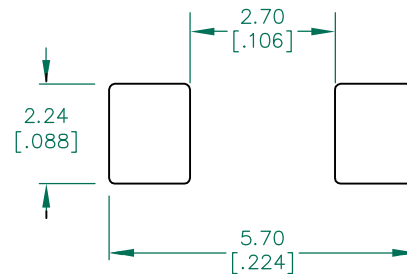
Z @ 100MHz (Ω)	DCR (Ω)	Rated Current
Nominal	80	
Minimum	60	
Maximum	100	0.30 500 mA

NOTES: UNLESS OTHERWISE SPECIFIED

1. TAPED AND REELED per CURRENT EIA SPECIFICATIONS 7" REELS, 2,000 PCS/REEL.
2. TERMINATION FINISH IS 100% TIN.
3. COMPONENTS SHOULD BE ADEQUATELY PREHEATED BEFORE SOLDERING.
4. OPERATING TEMP. RANGE: -40°C~+125°C. (INCLUDING SELF-HEATING)

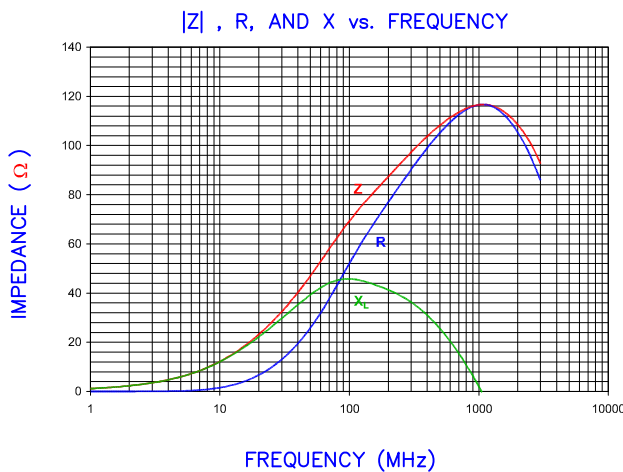
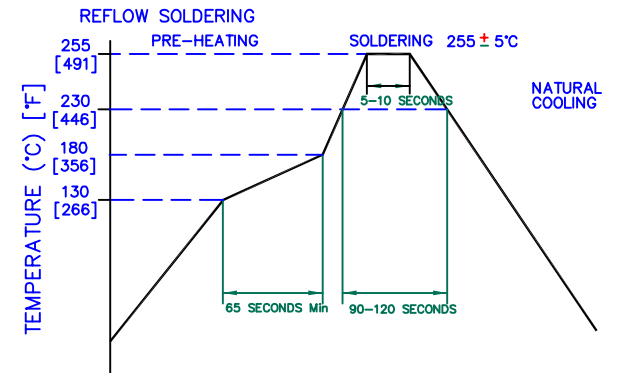


LAND PATTERNS FOR REFLOW SOLDERING



(For wave soldering, add 0.762 [.030] to this dimension.)

RECOMMENDED SOLDERING CONDITIONS



DIMENSIONS ARE IN mm [INCHES].				This print is the property of Laird Tech. and is loaned in confidence subject to return upon request and with the understanding that no copies shall be made without the written consent of Laird Tech. All rights to design or invention are reserved.		<b>Laird</b>	
F	ADD OPERATING TEMPERATURE UPDATE LAIRD LOGO AND REFLOW CURVE	08/05/13	QU				
E	CHANGE REEL QTY FROM 3K TO 2K	11/05/08	JRK				
D	UPDATE COMPANY LOGO	07/24/08	JRK				
C	CORRECT REF # FROM 3289 TO 3298	07/22/05	JRK	PROJECT/PART NUMBER: LI1806E800R-10			
B	CORRECT LANDPATTERN DIM AND TEMP IN REFLOW SOLDERING, ADD DC CURVE	04/14/03	JRK	REV: F	PART TYPE: CO-FIRE	DRAWN BY: JRK	
A	ORIGINAL DRAFT	08/07/02	JRK	DATE: 08/07/02	SCALE: NTS	SHEET: 2 of 2	
REV	DESCRIPTION	DATE	INT	CAD #	TOOL #	LI1806E800R-10-F	