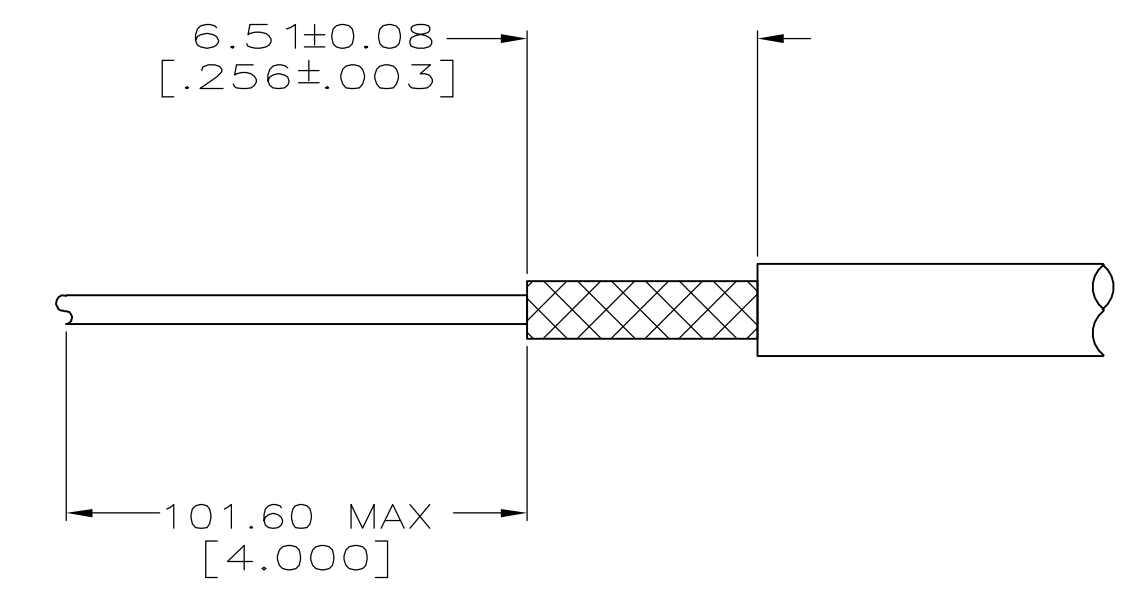
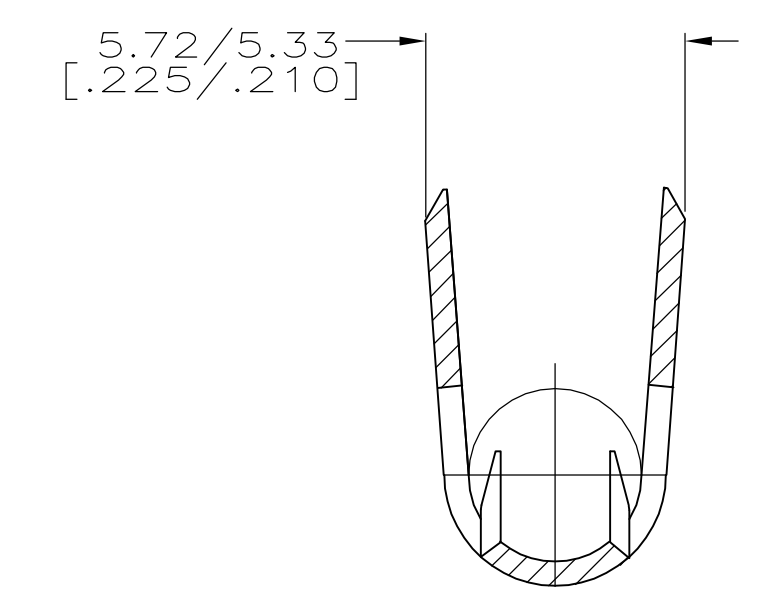


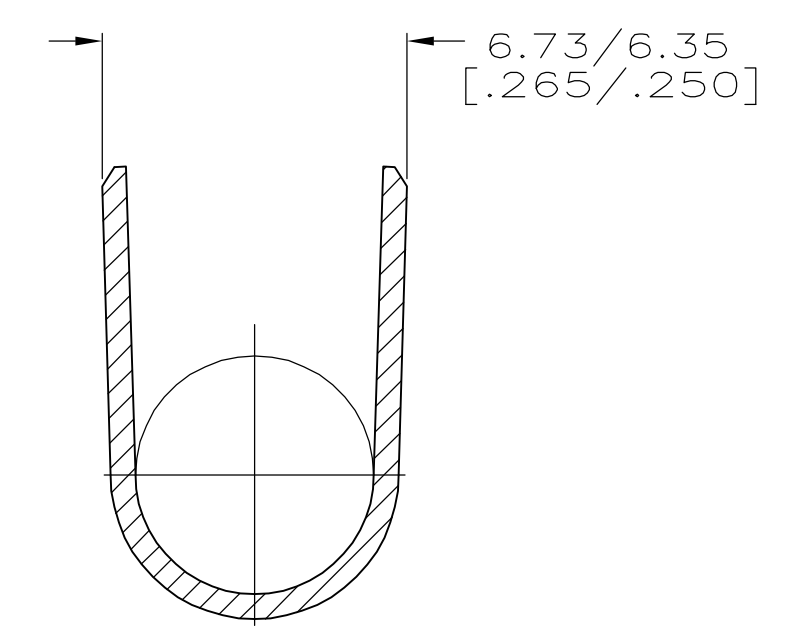
- ① STAMPED AMP RG-58, 0.79[.031] HIGH CHARACTERS
- ② WITH OR WITHOUT PICKS
- 3. USE HAND TOOL NO. 220190-1 AND DIESET NO. 220195-1.
- ④ TIN-LEAD PLATE PER ASTM B-545
- ⑤ TIN PLATE PER ASTM B-545



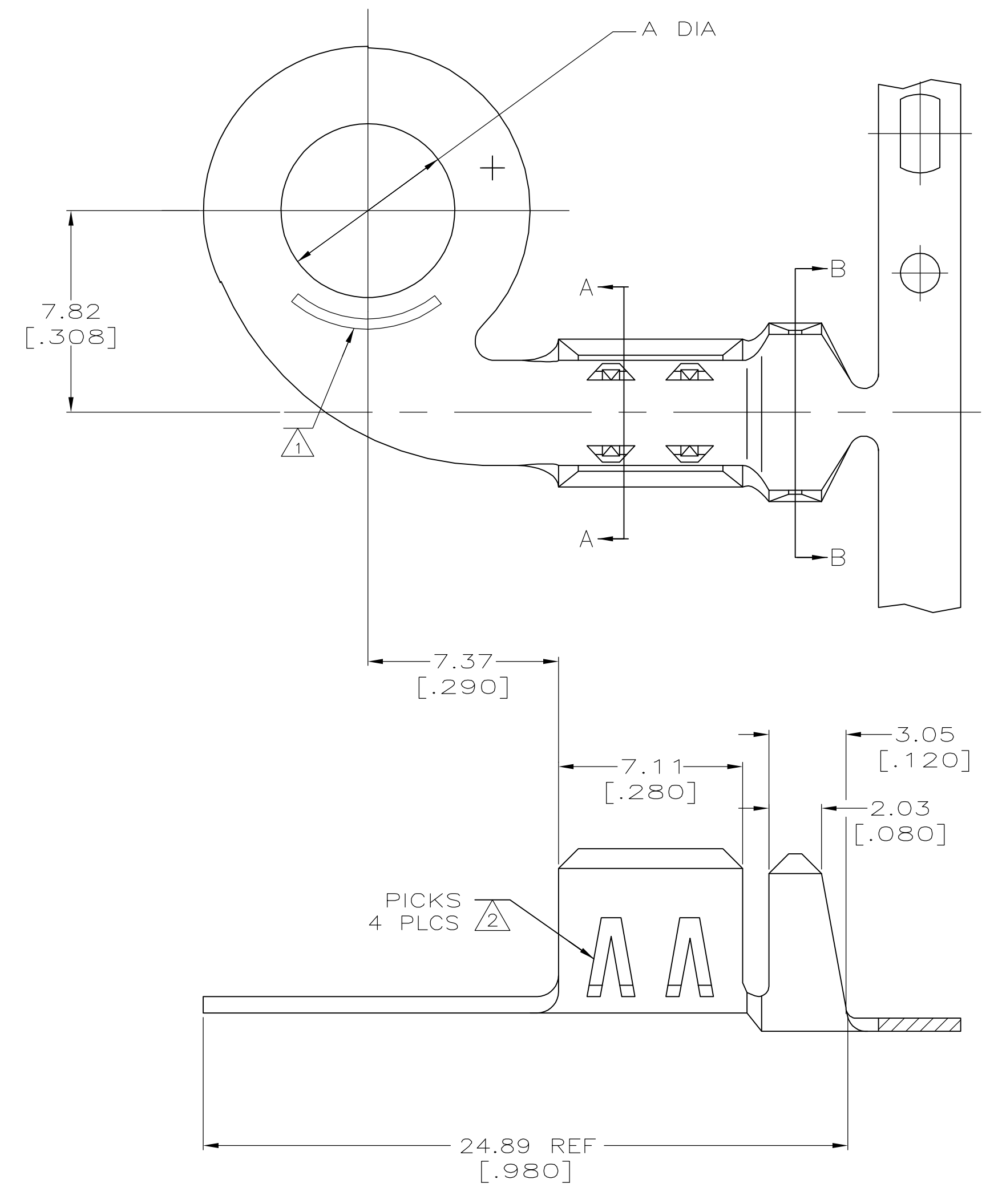
RECOMMENDED STRIP LENGTH



SECTION A-A  
ROTATED 90° CW



SECTION B-B  
ROTATED 90° CCW



	⑤	WITH PICKS	4.34[.171]	9-226619-1
	⑤	WITH PICKS	6.35[.250]	9-226619-0
OBSOLETE	④	WITHOUT PICKS	4.34[.171]	2-226619-1
OBSOLETE	④	WITHOUT PICKS	6.35[.250]	2-226619-0
OBSOLETE	④	WITH PICKS	4.34[.171]	226619-3
OBSOLETE	④	WITH PICKS	6.35[.250]	226619-1
	FINISH	②	A DIM	PART NUMBER

THIS DRAWING IS A CONTROLLED DOCUMENT.

DIMENSIONS: INCHES	TOLERANCES UNLESS OTHERWISE SPECIFIED:	DIN J.DAVIS 29/APR/93	tyco Electronics Tyco Electronics Corporation Harrisburg, Pa 17105-3608
0 PLC ± -	1 PLC ± -	CHK G.MICHAEL 29/APR/93	NAME
2 PLC ± 0.20[.008]	3 PLC ± -	APVD	PRODUCT SPEC
4 PLC ± -	ANGLES ± -		APPLICATION SPEC
MATERIAL BRASS, 0.51[.020] THK	FINISH	SIZE A1	WEIGHT
		CAGE CODE 00779	DRAWING NO. 226619
		CUSTOMER DRAWING	RESTRICTED TO

SCALE 1:1 SHEET 1 OF 1 REV J1