

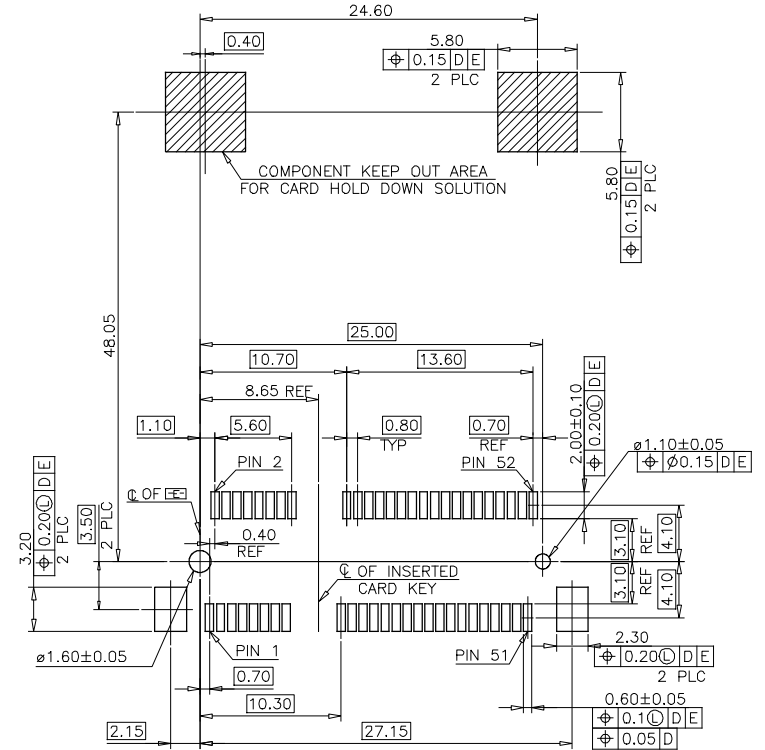
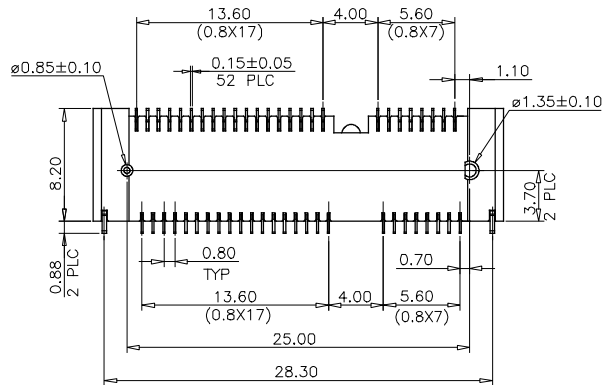
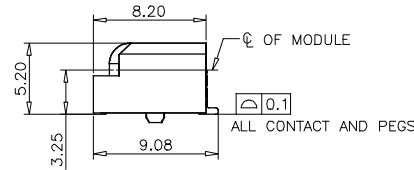
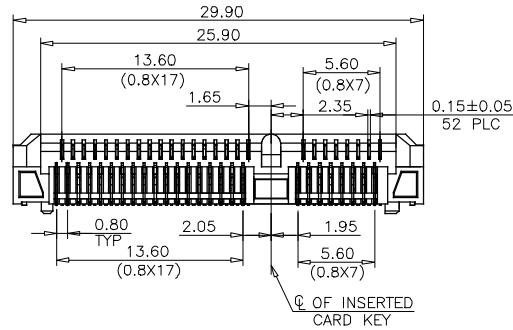
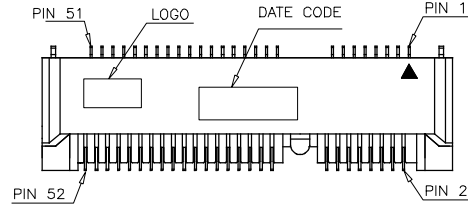
PRODUCT NUMBER  
10123825-XXXLF

MATERIAL  
HOUSING : THERMO PLASTIC UL94V-0 BLACK  
CONTACT : COPPER ALLOY  
PEG : COPPER ALLOY

PART NO. SCHEMATIC: 10123825 - XX X LF

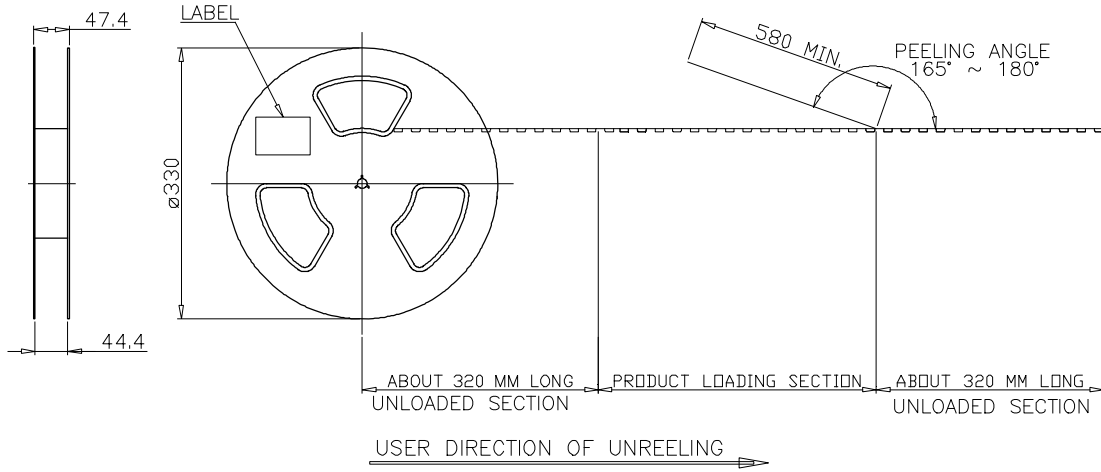
TERMINAL PLATING \_\_\_\_\_ PACKING \_\_\_\_\_  
00: NO PLATING 0: TAPE&REEL.STD  
G2: GOLD FLASH 1~3μm OVER Ni 50~100μm 1: TAPE&REEL.RVS  
A2: CONTACT AREA AND SOLDER AREA :  
SELECTION GOLD 1μm OVER Ni 50~100μm  
A7: CONTACT AND SOLDER TAIL AREA GOLD PLATING  
10μm MIN OVER Ni 50~100μm

PRODUCT SPEC.: GS-12-1111  
PACKAGE SPEC.: GS-14-2284  
THIS PRODUCT MEETS EUROPEAN UNION DIRECTIVES AND  
OTHER COUNTRY REGULATIONS AS DESCRIBED IN GS-47-0004  
THE HOUSING WILL WITHSTAND EXPOSURE TO 260°C PEAK  
TEMPERATURE FOR 10 SECONDS IN A CONVECTION, IR OR  
VAPER PHASE REFLOW OVEN.



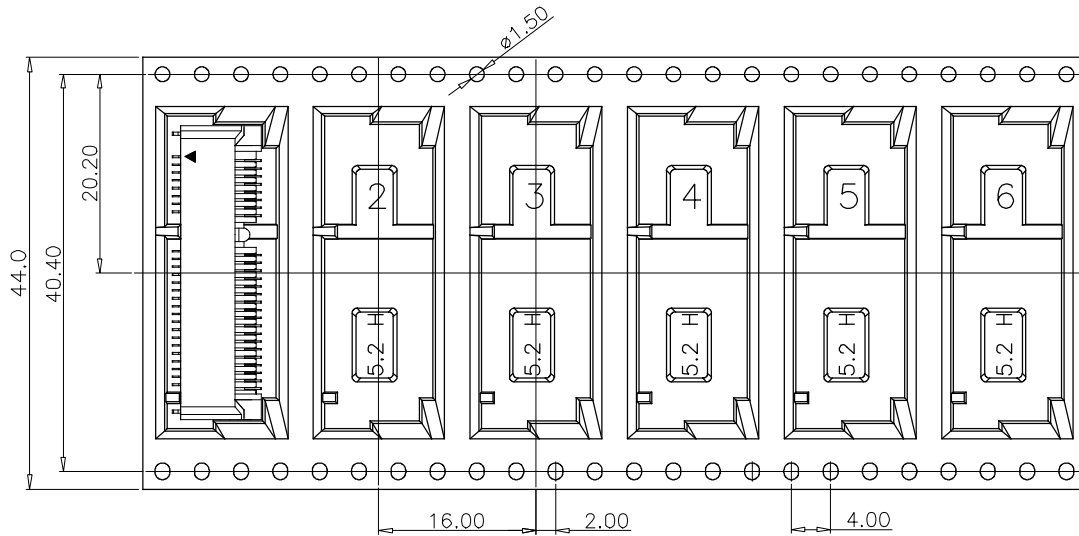
-D- IS THE TOP SURFACE OF PCB.  
RECOMMENDED P.C.BOARD PATTERN LAYOUT

mat'l. code		surface		tolerance ASME Y14.5		projection		product family	
ltr		ecn no		dr		date		tolerances unless otherwise specified	
A		TAI		2012-12-21		angles		X.X ± 0.30	
						X.XX ± 0.20			
						X*4°		X.XXX ± 0.15	
				KENNY TAI		2012-12-21		scale	
				KENNY TAI		2012-12-21		MM	
				KENNY TAI		2012-12-21		title	
				PM ZHENG		2013-01-03		0.80MM PITCH MINI PCI EXPRESS HIGH=5.2mm 52 PIN CONNECTOR	
sheet index		revision sheet		A		A		A	
				1		2		3	
								dwg no	
								sheet 1 of 3	
								size	
								A4	
								type	
								CUSTOMER Drawing	

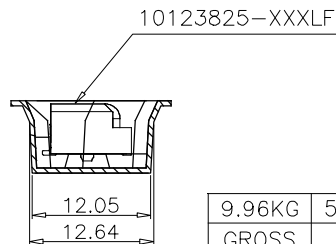


NOTES:

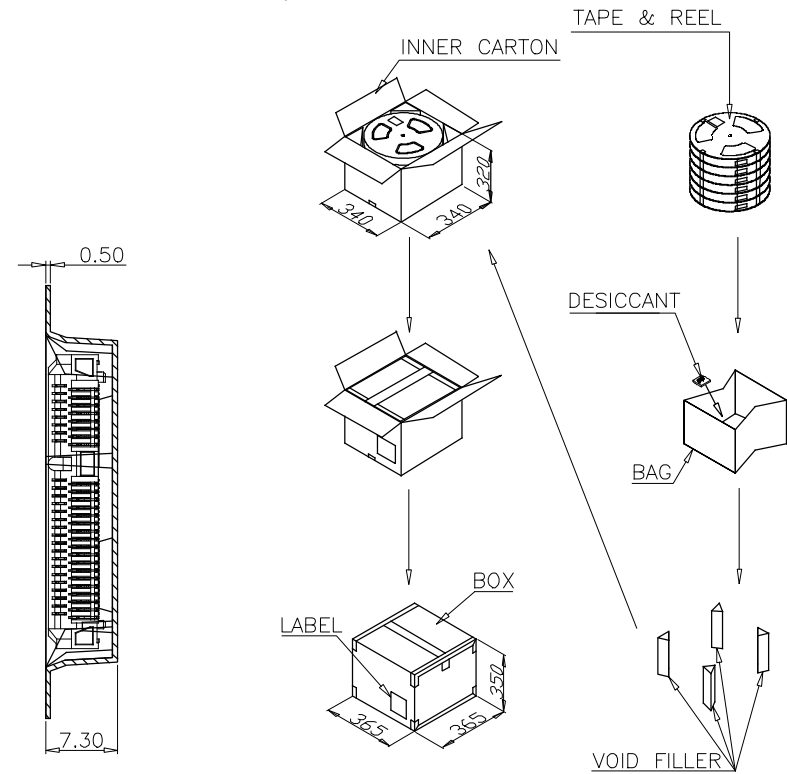
- MATERIAL:  
 BOX: FIBREBOARD, CORRUGATED, DOUBLE WALL.  
 COVER TAPE: PET, 120C° HEAT-RESISTANT TEMPERATURE, TRANSPARENT COLOR.  
 CARRIER TAPE: POLYSTYRENES, 120C° HEAT-RESISTANT TEMPERATURE, TRANSPARENT COLOR.  
 REEL: HIPS, 70C° HEAT-RESISTANT TEMPERATURE, BLUE COLOR.  
 BAG: POLYETHYLENES, 100C° HEAT-RESISTANT TEMPERATURE, TRANSPARENT COLOR.
- EACH BAG SHALL BE INCLUDED DESICCANT.
- PEELING STRENGTH: 0.1 ~ 1.3 N (10 ~ 130 GRAMS).
- PEELING SPEED: 300 mm/min.



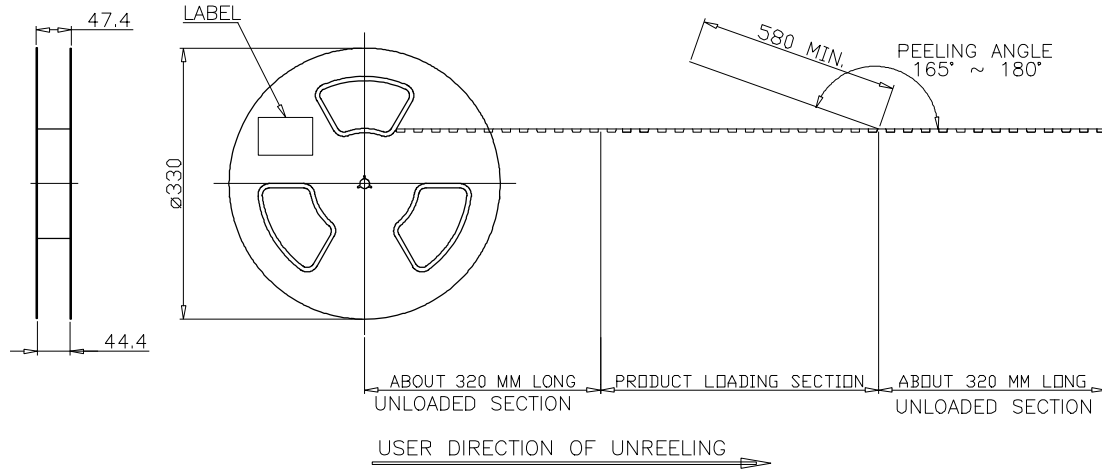
STANDARD TAPE & REEL  
(FOR -XXOLF)



9.96KG	5.08KG	550	6	3300
GROSS WEIGHT	NET WEIGHT	PCS/ REEL	REEL/ BOX	PCS/ BOX

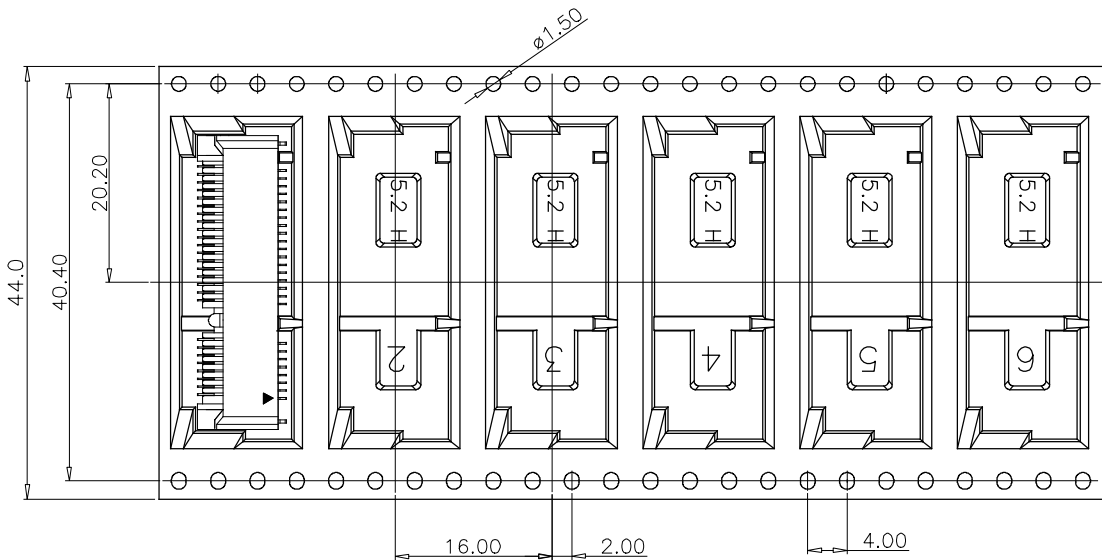


mat'l. code		surface		tolerance ASME Y14.5		projection		product family	
ltr	ecn no	dr	date	tolerances unless otherwise specified		MM		title	
A		TAI	2012-12-21	angles	X.X ± 0.30	MM		0.80MM PITCH MINI PCI EXPRESS HIGH=5.2mm 52 PIN CONNECTOR	
				flat	X.XX ± 0.20	scale		dwg no	
				X*±4°	X.XXX ± 0.15			sheet 2 of 3 size	
				dr	KENNY TAI	2012-12-21		A4	
				enr	KENNY TAI	2012-12-21		10123825	
				chr	KENNY TAI	2012-12-21		type	
				appd	PM ZHENG	2013-01-03		CUSTOMER Drawing	
sheet index	revision sheet	A	A	A					
		1	2	3					

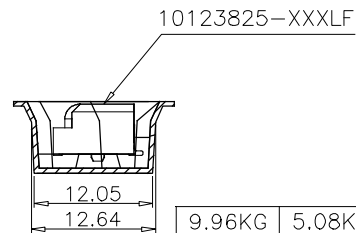


NOTES:

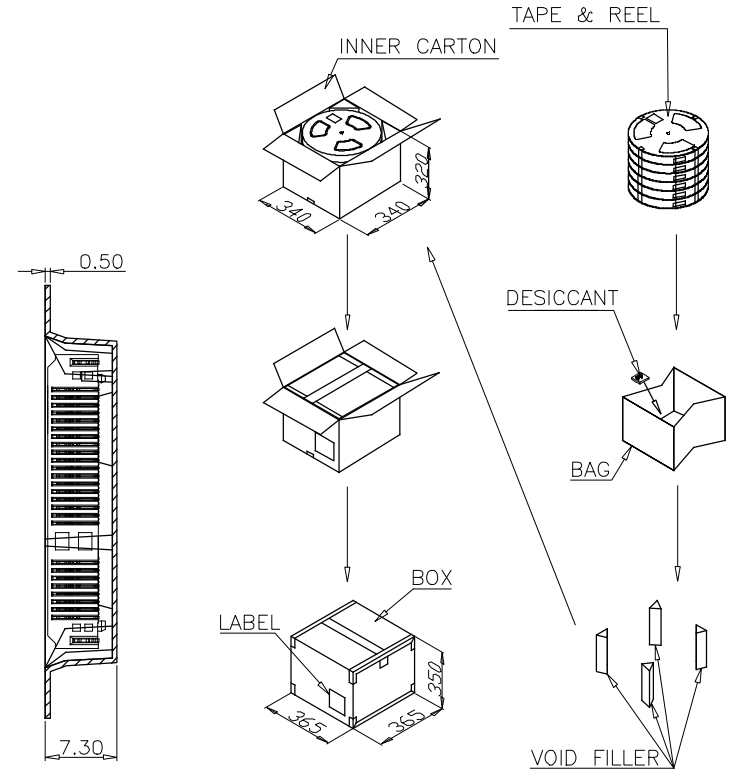
1. MATERIAL:  
 BOX: FIBREBOARD, CORRUGATED, DOUBLE WALL.  
 COVER TAPE: PET, 120C° HEAT-RESISTANT TEMPERATURE, TRANSPARENT COLOR.  
 CARRIER TAPE: POLYSTYRENES, 120C° HEAT-RESISTANT TEMPERATURE, TRANSPARENT COLOR.  
 REEL: HIPS, 70C° HEAT-RESISTANT TEMPERATURE, BLUE COLOR.  
 BAG: POLYETHYLENES, 100C° HEAT-RESISTANT TEMPERATURE, TRANSPARENT COLOR.
2. EACH BAG SHALL BE INCLUDED DESICCANT.
3. PEELING STRENGTH: 0.1 ~ 1.3 N (10 ~ 130 GRAMS).
4. PEELING SPEED: 300 mm/min.



REVERSE TAPE & REEL  
(FOR -XX1LF)



9.96KG	5.08KG	550	6	3300
GROSS WEIGHT	NET WEIGHT	PCS/ REEL	REEL/ BOX	PCS/ BOX



mat'l. code		surface		tolerance <input checked="" type="checkbox"/> ASME Y14.5		projection		product family	
ltr	ecn no	dr	date	tolerances unless otherwise specified		MM		title	
A		TAI	2012-12-21	angles	$X.X \pm 0.30$	MM		0.80MM PITCH MINI PCI EXPRESS HIGH=5.2mm 52 PIN CONNECTOR	
				flatness	$X.XX \pm 0.20$	scale		dwg no	
				$X^\circ \pm 4'$	$X.XXX \pm 0.15$			sheet 3 of 3 size	
		dr	KENNY TAI	2012-12-21				A4	
		enr	KENNY TAI	2012-12-21				10123825	
		chr	KENNY TAI	2012-12-21				type	
		appd	PM ZHENG	2013-01-03				CUSTOMER Drawing	
sheet index	revision sheet	A	A	A					
		1	2	3					