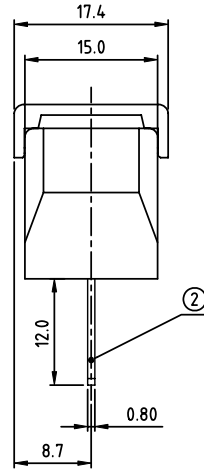
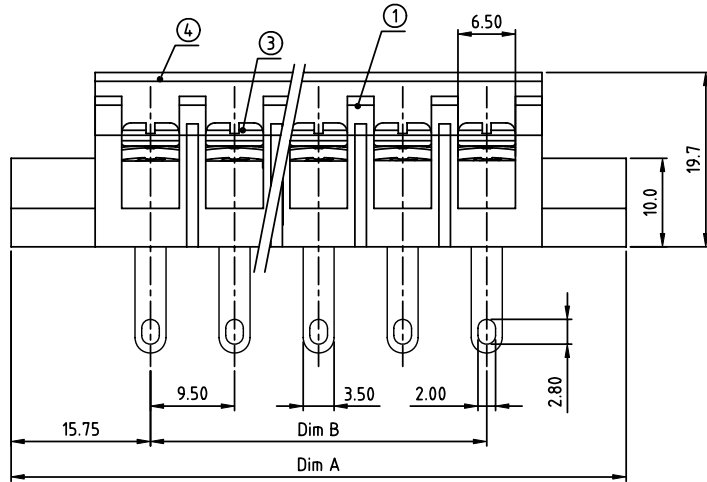
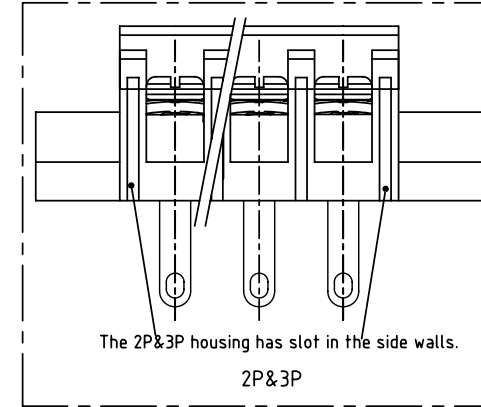
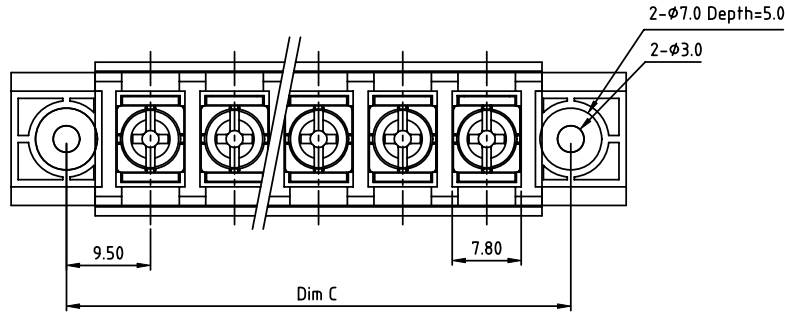


PRODUCT NUMBER	PITCH
YK505xx1x0J0G	9.50 mm



MATERIALS & ELECTRICAL

RATED VOLTAGE & CURRENT: 300 V, 20 A

WITHSTAND VOLTAGE: AC 2000 V/Min

INSULATION RESISTANCE: 1000 MΩ OR MORE AT DC 500 V

OPERATING TEMPERATURE RANG: -40 °C ~ +115 °C

SCREW TORQUE VALUE: 12 Lb.-In.

WIRE RANGE: 22 - 12AWG

1) HOUSING: THERMOPLASTIC, UL 94 V-0 BLACK

2) TERMINAL: BRASS, 0.8t

3) TERMINAL SCREWS: STEEL, M3.5

4) COVER MATERIAL: PC

APPROVAL: US

DIMENSION

Dim A	(N+2)×9.5+3.0
Dim B	(N-1)×9.5
Dim C	(N+1)×9.5

N=Number of poles

Poles	Tolerance
2p-4p	±0.20
5p-10p	±0.30
11p-24p	±0.40
25p-30p	±0.60

PART NO.: YK 505xx 1 x 0 J0G

No. of poles
02 2 poles
03 3 poles
... ..
30 30 poles

Plated		
Code	Terminal	Screw
0	G/F	G/F
1	G/F	Zinc
2	Tin	G/F
3	Tin	Zinc

RoHS compliant
(lead<4%)
In copper Alloy

mat'l. code		surface ASME Y14.5 ✓	tolerance ASME Y14.5	projection 	product family TERMINAL BLOCK
ltr	ecn no	dr	date	tolerances unless otherwise specified	title TERMINAL BLOCK
				angles 	BARRIER TYPE, WITH FLANGE & COVER
				X±0.5	scale
				X.X±0.3	MM
				X*±1"	X.XX±0.1
		dr	EVAN LU	061414	FCI
		enr	EVAN LU	061414	dwg no
		chr	HANKE FENG	061414	sheet 1 of 1
		appd	SHI JUN	061414	size
					YK505xx1x0J0G
					A4
					type
					CUSTOMER Drawing
sheet index	revision	A			
	sheet	1			