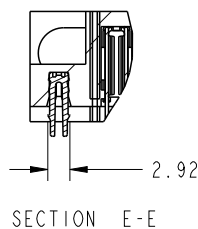
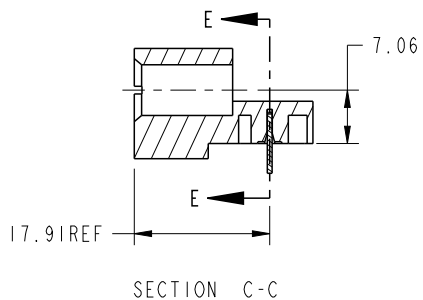
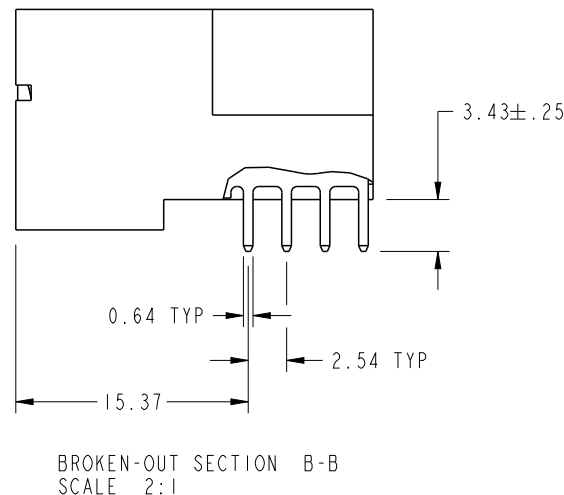
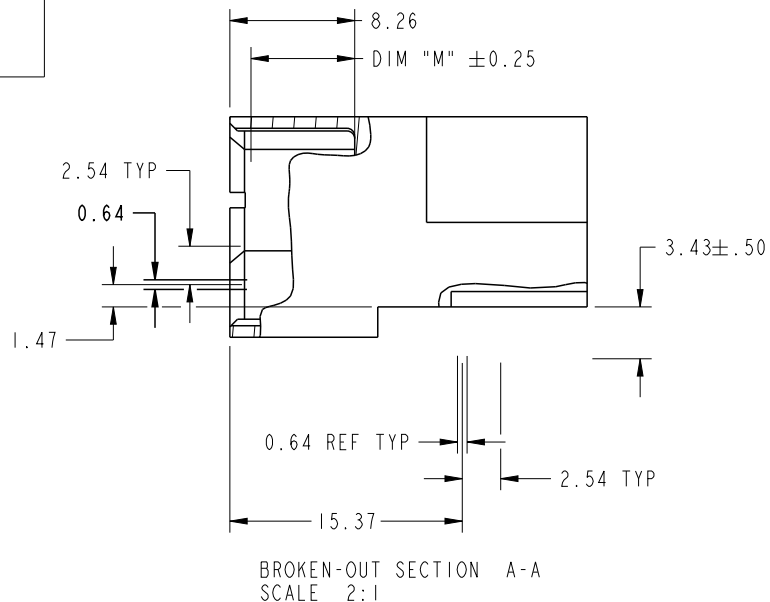


CODE	DIM "M" MATING LENGTH	CONTACT TYPE
PA	N/A [N/A]	POWER
HA	N/A [N/A]	HOLD-DOWN
R	.270 [6.86]	SIGNAL
S	.270 [6.86]	SIGNAL
T	.270 [6.86]	SIGNAL
U	.270 [6.86]	SIGNAL
F	.220 [5.59]	SIGNAL
G	.220 [5.59]	SIGNAL
H	.220 [5.59]	SIGNAL

spec ref	SEE NOTES		dr	Guang, Shi	2011/07/07	projection 	MM 	size	A4	scale	1:1	
tolerance std	TOLERANCES UNLESS OTHERWISE SPECIFIED		eng	Guang, Shi	2011/07/26			ecn no	-			
SEE NOTES			chr	-	-			rel level	Released			
surface	linear	0.X	±0.50	FCI www.fci.com	title	2P + 24S + 2P RIGHT ANGLE SOLDER HEADER		dwg no	51730-197		rev	A
		0.XX	±0.25									
		0.XXX	±0.10									
	angular	0°	±2°	cat. no.	Product - Customer Drw			sheet 1 of 4				

PRODUCT NUMBER

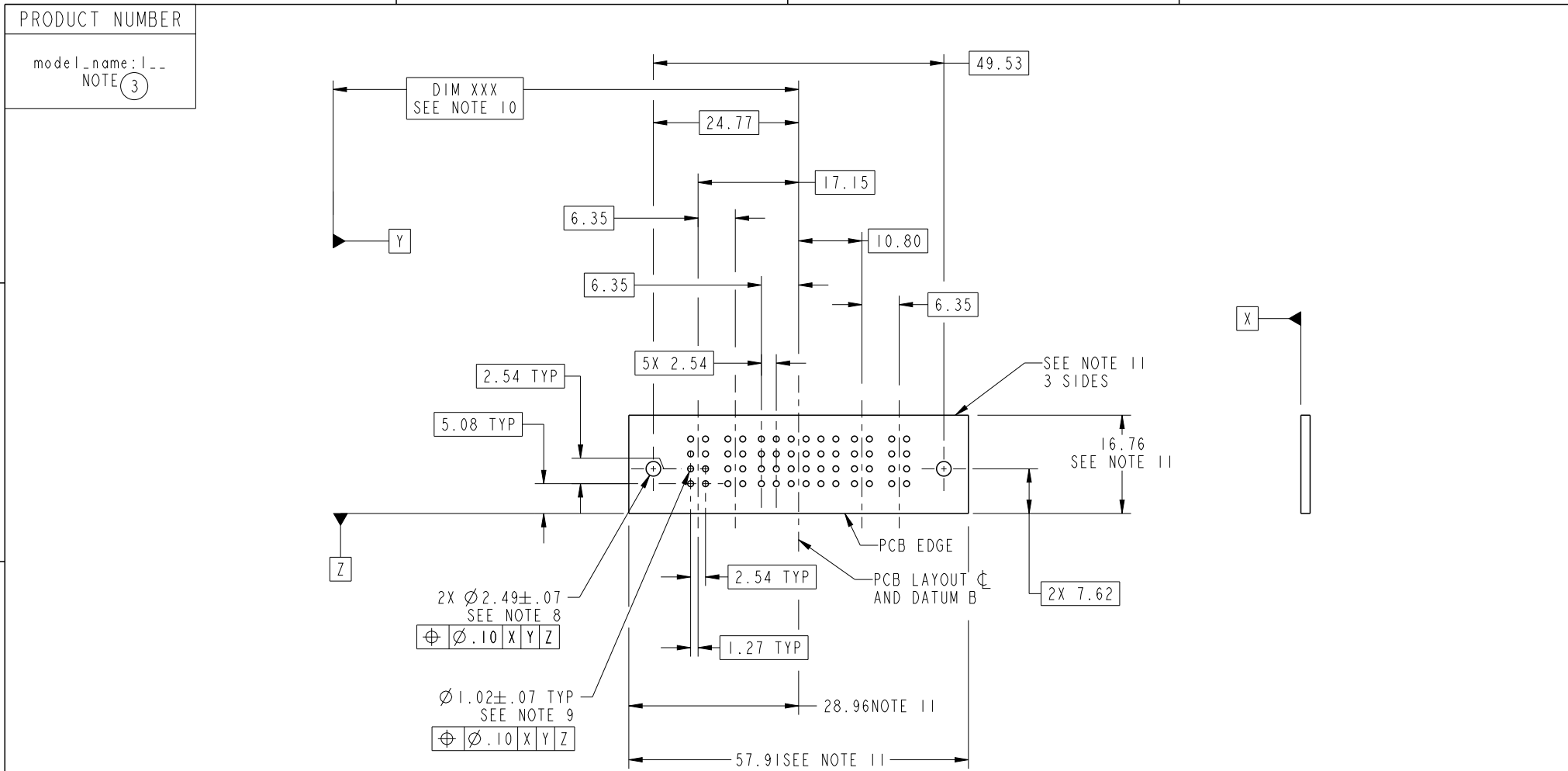
51730-197--
NOTE (3)



spec ref	SEE NOTES			dr	Guang, Shi	2011/07/07	projection 	MM ←→	size	A4	scale	1:1
tolerance std	TOLERANCES UNLESS OTHERWISE SPECIFIED			eng	Guang, Shi	2011/07/26			ecn no	-		
SEE NOTES				chr	-	-			rel level	Released		
surface	✓	linear	0.X	±0.50	FCj www.fci.com	title	2P + 24S + 2P RIGHT ANGLE SOLDER HEADER	dwg no	51730-197	rev	A	
			0.XX	±0.25								
			0.XXX	±0.10								
		angular	0°	±2°	cat. no.	Product - Customer Drw			sheet 2 of 4			



Copyright FCI.



RECOMMENDED PCB LAYOUT

spec ref	SEE NOTES			dr	Guang, Shi	2011/07/07	projection 	MM 	size	A4	scale	1:1	
tolerance std	TOLERANCES UNLESS OTHERWISE SPECIFIED			eng	Guang, Shi	2011/07/26			ecn no	-			
SEE NOTES				chr	-	-			rel level	Released			
surface	✓	linear	0.X	±0.50	FCI www.fci.com	title	2P + 24S + 2P RIGHT ANGLE SOLDER HEADER	dwg no	51730-197	rev	A		
			0.XX	±0.25							cat. no.	Product - Customer Drw	sheet 3 of 4
			0.XXX	±0.10									
		angular	0°	±2°									

PrdE File - REV C - 2009-06-09

PRODUCT NUMBER

51730-197--
NOTE (3)

NOTES:

1. DIMENSIONS AND TOLERANCES ARE IN ACCORDANCE WITH ASME Y14.5M, 1994 UNLESS OTHERWISE SPECIFIED.

CONNECTOR NOTES:

- 2. HOUSING MATERIAL: UL 94 V-0 GLASS FILLED HIGH-TEMP THERMOPLASTIC
POWER CONTACT MATERIAL: COPPER ALLOY
SIGNAL PIN MATERIAL: COPPER ALLOY
 - 3. SEE ITEM 1 & 2 IN PRINT 10064183 FOR PLATING SPEC OF 51730-197 AND 51730-197LF RESPECTIVELY.
 - 4. MANUFACTURER'S NAME, DATE CODE AND OPTIONAL P/N TO APPEAR ON THIS SURFACE. THE P/N CAN BE OMITTED IF THERE IS NOT ENOUGH SPACE ON THIS SURFACE.
 - 5. PRODUCT SPECIFICATION GS-12-149.
APPLICATION SPECIFICATION BUS-20-067.
 - 6. PACKAGED IN TRAYS.
- PCB NOTES:
- 7. ALL HOLE DIAMETERS ARE FINISHED HOLE SIZE.
 - 8. MOUNTING HOLES, WHERE APPLICABLE, ARE UNPLATED.
 - 9. $\varnothing 1.151 \pm 0.025$ DRILLED HOLES PLATED WITH
0.008 MIN SnPb OR Sn OVER 0.03
TO 0.08 Cu PLATING TO ACHIEVE
 $\varnothing 1.02 \pm 0.07$ HOLE.
 - 10. "DIM XXX" TO BE DETERMINED BY THE CUSTOMER.
 - 11. CONNECTOR KEEP-OUT ZONE.

spec ref		SEE NOTES		dr	Guang, Shi	2011/07/07	projection 	MM 	size	A4	scale	1:1	
tolerance std		TOLERANCES UNLESS OTHERWISE SPECIFIED		eng	Guang, Shi	2011/07/26			ecn no	-			
SEE NOTES				chr	-	-			product family	PwrBlade		rel level	Released
surface	✓	linear	0.X	± 0.50		title	2P + 24S + 2P RIGHT ANGLE SOLDER HEADER		dwg no	51730-197		rev	A
			0.XX	± 0.25									
			0.XXX	± 0.10									
angular	0°	$\pm 2°$	www.fci.com	cat. no.	Product - Customer Drw			sheet 4 of 4					