

Foot element - UM 72-FE - 2959382

Please be informed that the data shown in this PDF Document is generated from our Online Catalog. Please find the complete data in the user's documentation. Our General Terms of Use for Downloads are valid (<http://download.phoenixcontact.com>)

Foot element, 72 mm wide, for mounting on NS 32 or NS 35/7.5, below profile housing UM 72.



Why buy this product

- Lateral elements with potential ground contact available from the PCB to the DIN rail (EMC)
- Wide range of options for external conductor connection
- Fast assembly on standard NS 35 or NS 32 DIN rails
- Inexpensive as a result of reducing the number of separate housing parts
- Flexible size and shape
- High degree of mechanical stability by screwing the lateral elements to the profile
- The modules can be marked with Phoenix Contact marking material using the marking grooves in the press-drawn section



Key commercial data

Packing unit	1
Minimum order quantity	10
Catalog page	Page 644 (CC-2011)
GTIN	 4 017918 099350
Custom tariff number	39269097
Country of origin	POLAND

Technical data

Product type	Mounting material
Approval	UL Recognized

Classifications

ETIM

ETIM 2.0	EC001031
ETIM 3.0	EC001031
ETIM 4.0	EC001031

Foot element - UM 72-FE - 2959382

Classifications

ETIM

ETIM 5.0	EC001031
----------	----------

UNSPSC

UNSPSC 11	31261501
UNSPSC 12.01	31261501
UNSPSC 13.2	31261501
UNSPSC 6.01	31261501
UNSPSC 7.0901	31261501

eCl@ss

eCl@ss 4.0	27180401
eCl@ss 4.1	27180401
eCl@ss 5.0	27180506
eCl@ss 5.1	27180506
eCl@ss 6.0	27180802
eCl@ss 7.0	27182701

Approvals

Approvals

Approvals

UL Recognized

Ex Approvals

Approvals submitted

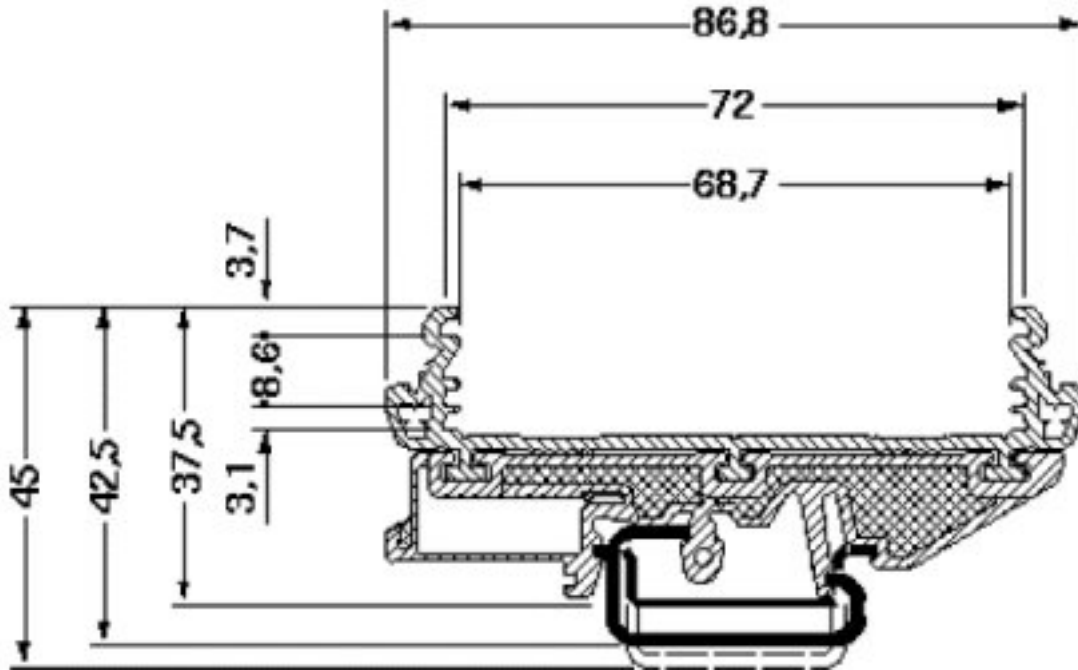
Approval details



Drawings

Foot element - UM 72-FE - 2959382

Dimensioned drawing



© Phoenix Contact 2012 - all rights reserved
<http://www.phoenixcontact.com>